

TriTech

MADE IN THE U.S.A.

T15 / T15TX

Owners Manual 302-124

9/2023 REV A

PROFESSIONAL AIRLESS SPRAYER

MAXIMUM WORKING PRESSURE 3300PSI 227BAR 22.7 MPa

VOLTS	CYCLES	AMPS	PHASE
110V	50 / 60	13	SINGLE
220V	50 / 60	7	SINGLE

FOR THE APPLICATION OF ARCHITECTURAL PAINTS AND COATINGS

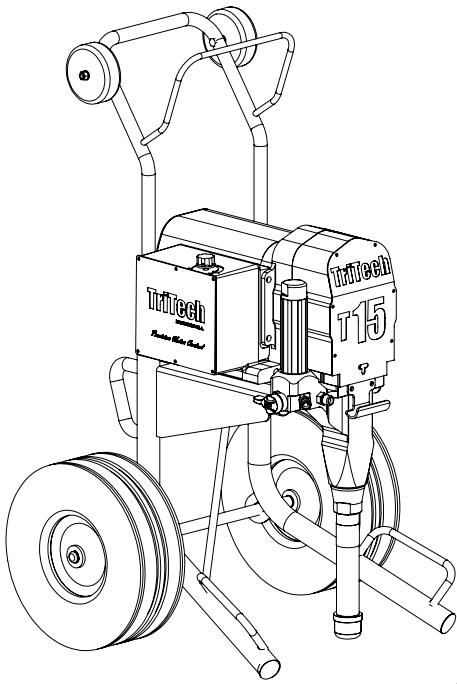


TriTech Industries, Inc., 610 Rahway Avenue, Union NJ 07083
PH: 908-378-1080 FAX: 908-378-1659 www.tritechindustries.com



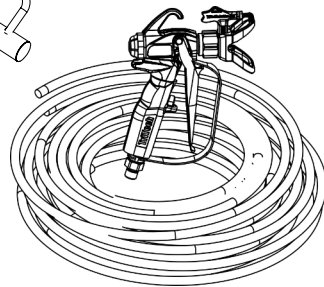
!! SAFETY AND OPERATING INSTRUCTIONS INSIDE !!

Read all warnings and safe operating information inside and retain this manual for future reference.

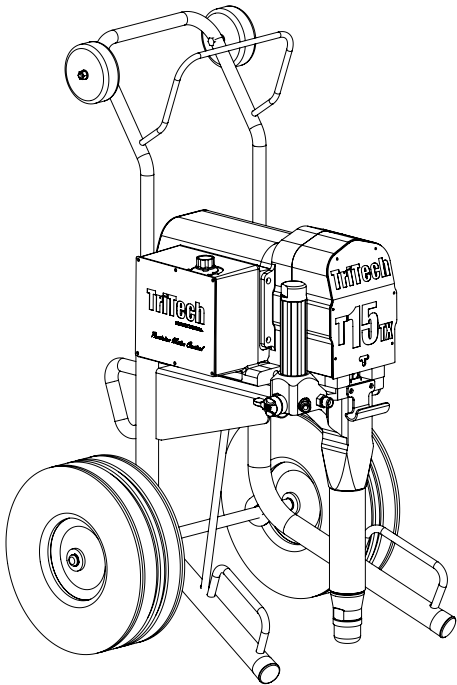


T15

602-934	T15 HI CART COMPLETE 110V
602-944	T15 HI CART COMPLETE 220V
602-951	T15 HI CART COMPLETE 220V AUSTRALIA
602-953	T15 HI CART COMPLETE 110V UK
602-955	T15 HI CART COMPLETE 110V CANADA
602-987	T15 HI CART COMPLETE 220V UK

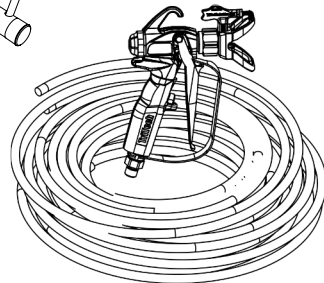


501-155	T380 AIRLESS SPRAY GUN 2 FINGER
200-517	T93R CONTRACTOR TIP
200-999	CONTRACTOR GUARD
400-114	50' X 1/4" AIRLESS HOSE
400-141	25' X 3/8" AIRLESS HOSE
120-626	5000 PSI PRESSURE GAUGE KIT



T15TX

602-964	T15TX HI CART COMPLETE 110V
602-974	T15TX HI CART COMPLETE 220V
602-981	T15TX HI CART COMPLETE 220V AUSTRALIA
602-983	T15TX HI CART COMPLETE 110V UK
602-985	T15TX HI CART COMPLETE 110V CANADA
602-989	T15TX HI CART COMPLETE 220V UK



503-400	T400TX AIRLESS TEXTURE GUN 2F
207-531	T93R MAXX TIP
200-999	CONTRACTOR GUARD
400-129	50' X 3/8" AIRLESS HOSE
120-626	5000 PSI PRESSURE GAUGE KIT

IMPORTANT SAFETY INFORMATION

SAVE THESE INSTRUCTIONS - To reduce the risk of fire or explosion, electrical shock and the injury to persons, read and understand all instructions. Become familiar with setup and operation before using this equipment.

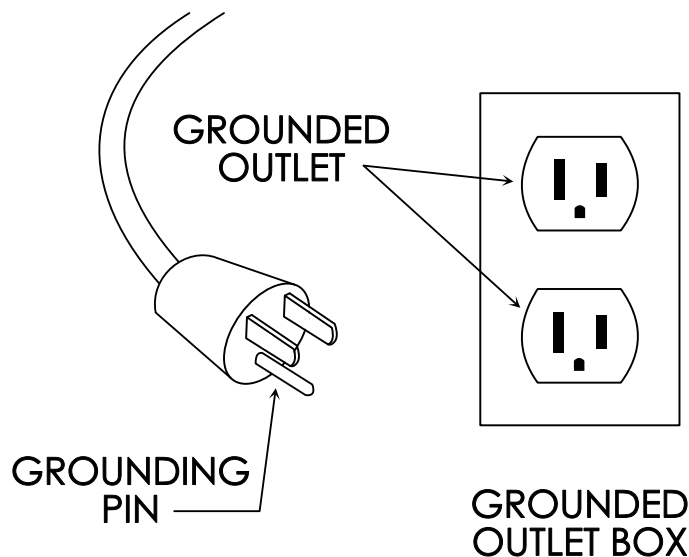
GROUNDING

This product must be grounded. In the event of an electrical short circuit, grounding reduces the risk of electric shock by providing an escape wire for the electric current. This product is equipped with a cord having a ground wire with an appropriate grounding plug. The plug must be plugged into an outlet that is properly installed and grounded in accordance with all local codes and ordinances. Ensure ground prong is intact on the equipment power cord, and if used, ensure the extension cord ground prong is intact as well.

WARNING - Improper installation of the grounding prong may result in a risk of electric shock. When repair or replacement of the cord or plug is required, do not connect the grounding wire to either flat blade main terminals. The wire with the green or green/yellow insulation is the grounding wire.

Check with a qualified electrician or serviceman when the grounding instructions are not completely understood, or when in doubt as to whether the product is properly grounded. Do not modify the plug provided. If the plug will not fit the outlet, have the proper outlet installed by a qualified electrician.

Products that operate on a nominal 110VAC circuit have a grounding plug similar to the illustrated below. Only connect the product to an outlet having the same configuration as the plug. Do not use a 3 to 2 blade adapter with this product.



IMPORTANT SAFETY INFORMATION

WARNING — To reduce the risk of fire or explosion.

- Do not spray flammable or combustible material near an open flame or source of ignition such as cigarettes, motors, plastic drop cloths and electrical equipment.
- Do not plug or unplug power cord when flammable fumes are present.
- If there is a static spark or you feel a shock, stop use immediately. Do not use equipment until you identify and correct the problem.
- Do not spray or clean using materials with a flashpoint below 100° F (38° C).
- Paint or solvent flowing through the equipment is able to result in static electricity. Static electricity creates a risk of fire or explosion in the presence of paint or solvent fumes. All parts of the spray system, including the pump, hose assembly, spray gun, and objects in and around the spray area shall be properly grounded to protect against static discharge and sparks. Use only conductive or grounded high-pressure airless paint spray hoses specified by TriTech Industries, Inc.
- Verify that all containers and collective systems are grounded to prevent static discharge.
- Connect to a grounded outlet and use grounded extension cords. Do not use a 3 to 2 adapter.
- Do not use a paint or a solvent containing halogenated hydrocarbons.
- Keep spray area well ventilated. Keep a good supply of fresh air moving through the area. Keep pump assembly in a well ventilated area. Do not spray pump assembly.
- Do not smoke in the spray area.
- Do not operate light switches, engines, or similar spark producing products in the spray area or while flammable fumes are present.
- Keep area clean and free of paint or solvent containers, rags, and other flammable materials.
- Sprayer generates sparks. When flammable liquid is used in or near the sprayer for flushing or cleaning keep sprayer at least 20 feet (6.1 meters) away from explosive vapors.
- Know the contents of the paints and solvents being sprayed. Read all Material Safety Data Sheets (MSDS) and container labels provided with the paint and solvents. Follow paint and solvent manufacturer's safety instructions.
- Fire extinguisher equipment shall be present and working.

IMPORTANT SAFETY INFORMATION

WARNING — To reduce risk of skin injection.

High-pressure fluid from tip, gun, hose leaks, or ruptured components will pierce skin. This may look like just a cut, but it is a serious injury that can result in amputation. Get immediate surgical treatment.

- Do not aim the gun at, or spray any person or animal
- Keep hands and other body parts away from the discharge. For example, do not try to stop leaks with any body part.
- Always use the spray gun tip guard. Do not spray without spray gun tip guard in place.
- Only use TriTech Industries, Inc. spray gun tips.
- Use caution when cleaning and changing spray gun tips. In the case where the spray gun tip clogs while spraying, follow the manufacturer's instructions for turning off the equipment and relieving the pressure before removing the spray gun tip to clean or replace.
- Do not leave the unit energized or under pressure while unattended. When the unit is not in use, turn off the unit and relieve the pressure in accordance with TriTech Industries, Inc. Instructions shown below. ***
- High-pressure spray is able to inject toxins into the body and cause serious bodily injury. In the event that injection occurs, seek medical attention immediately.
- Check hoses and parts for signs of damage. Replace any damaged hoses or parts.
- This system is capable of producing 3300 psi. Only use replacement parts or accessories that are specified by TriTech Industries, Inc. and that are rated at a minimum of 3300 psi.
- Always engage the gun trigger lock when not spraying. Verify the gun trigger lock is functioning properly.
- Verify that all connections are secure before operating the unit.
- Know how to stop the unit and bleed pressure quickly. Be thoroughly familiar with the controls.

*** PRESSURE RELIEF PROCEDURE

- 1) Turn the pressure control knob counterclockwise until it stops.
- 2) Turn OFF the sprayer.
- 3) Unplug the power cord.
- 4) Place the metal part of the gun firmly against the grounded metal container.
- 5) Place a rag over the container to protect against blow-back and trigger the gun to relieve pressure.
- 6) Engage the trigger lock.
- 7) Open the PRIME / SPRAY VALVE so the handle is pointing down. Leave it in this position until next use.

WARNING — To reduce the risk of injury.

- Always wear appropriate gloves, eye protection, hearing protection and a respirator or mask when painting.
- Do not operate or spray near children. Keep children away from equipment at all times.
- Do not overreach or stand on an unstable support. Keep effective footing and balance at all times.
- Stay alert and watch what you are doing.
- Do not operate the unit when fatigued or under the influence of drugs or alcohol.
- Do not kink or bend the hose.
- Do not expose the hose to temperature or pressures above that specified by manufacturer.
- Do not use the hose as a strength member to pull or lift the equipment.
- To reduce the risk of electrical shock, do not expose to rain. Store indoors.
- Turn off unit and unplug power cord before servicing equipment.

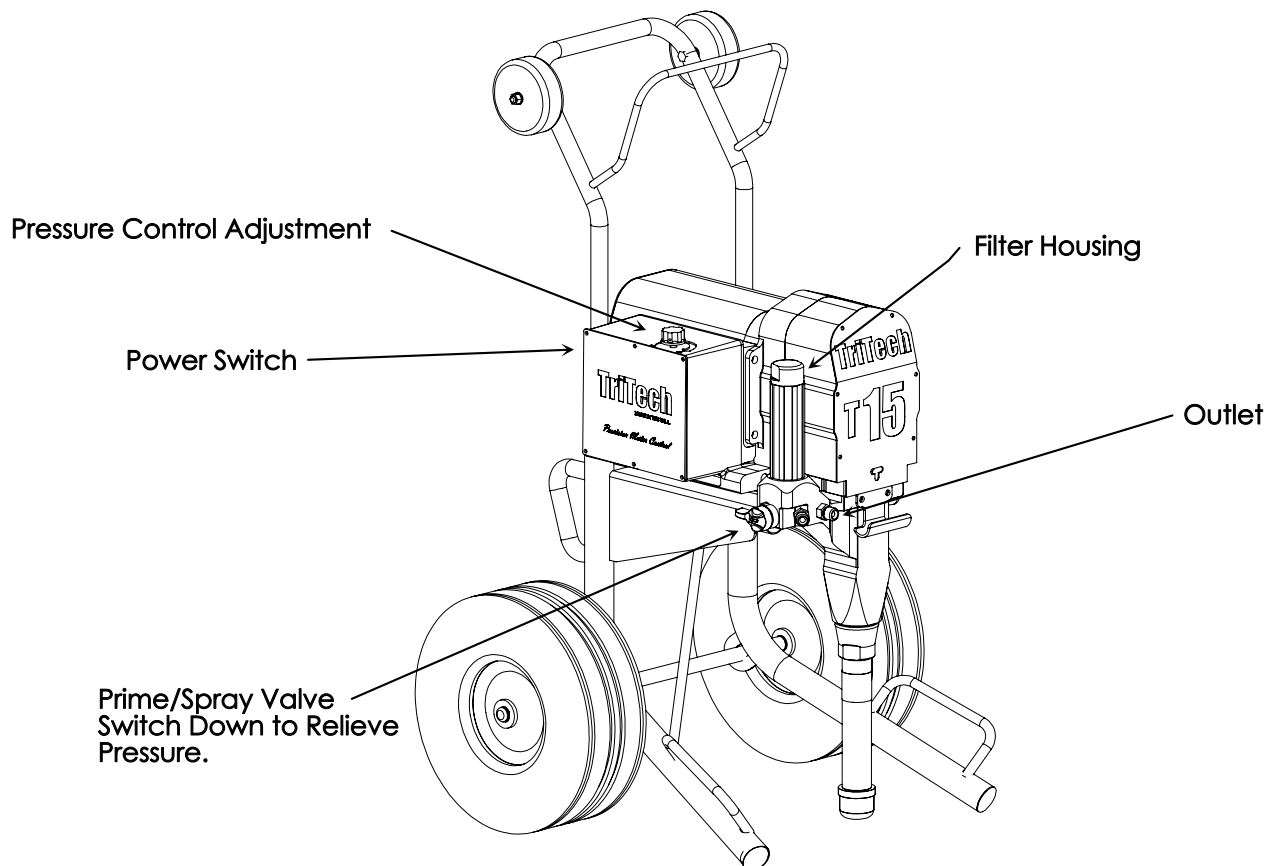
WARNING — To reduce the risk of injury, pressurized aluminum parts hazard.

- Do not use 1, 1,1-trichloroethane, methylene chloride, halogenated hydrocarbons (a solvent containing, Fluorine, Bromine, Chlorine, or iodine) and examples of those materials – such as methyl bromine, carbon tetrachloride and ethyl iodide.

IMPORTANT SAFETY INFORMATION

WARNING — Equipment Misuse Hazard

- Check equipment daily. Repair or replace worn or damaged parts immediately with genuine TriTech Industries, Inc. replacement parts.
- Do not alter or modify this equipment.
- Use equipment only for its intended purpose. Call TriTech Industries, Inc. customer service or your TriTech Industries, Inc. distributor for information.
- Route hoses, cords, extension cords away from high traffic areas, sharp edges, moving parts and hot surfaces. If spray hose is required to be replaced only replace with identical hose supplied with sprayer.
- Extension Cord, three wire grounded type only.
 - Use only extension cord with plug and receptacle that matches plug supplied on equipment.
 - Inspect the extension cord for damage before use, replaced if necessary
 - Acceptable extension cord lengths:
 - 14 AWG 25 feet maximum
 - 12 AWG 50 feet maximum
 - 10 AWG 100 feet maximum
- Generator Selection 110V / 220V
 - 3400 WATTS Minimum Continuous Output / 4420 WATTS Minimum Peak Output
 - In the UK, the generator must feed directly into a 220/110 volt transformer with a minimum rating of 3.3kVa and under no circumstances is the sprayer to be plugged directly into the 110 volt output from the generator.
- Pails – Solvent and oil based fluids: follow local codes;
 - Use only conductive metal pails placed on a grounded surface.



START UP

1. Connect TriTech airless hose to sprayer. Tighten securely.
2. Connect other end of the hose to gun.
3. Tighten securely.
4. Remove tip guard.
5. Check inlet strainer for clogs and debris.
6. Fill upper retainer with TriLube to prevent premature packing wear. Do this each time you spray.
7. Plug power supply cord into a properly grounded electrical outlet.
8. Place siphon tube set in grounded metal container partially filled with flushing fluid. Use mineral spirits to flush storage oil.
9. Turn pressure control to lowest pressure. Open the Prime/Spray Valve so the handle is pointing down.
10. Turn power ON.
11. Increase pressure to start motor and allow fluid to circulate through prime tube for 15 seconds; then turn pressure down.
12. Turn prime / spray valve to the spray position or so the handle is horizontal. Turn spray gun trigger safety OFF.
13. Hold gun against grounded metal container. Trigger gun and increase fluid pressure to half way. Flush 1 minute. Inspect for leaks. If a leak occurs follow the pressure relief procedure then tighten fitting were leak occurred. Do not attempt to stop leaks with hand or rag! Repeat Start-up 9-13 again. If no leaks, proceed.
14. Place siphon tube in paint pail.
15. Trigger gun again into metal container until paint appears. Move gun to paint pail and trigger for 20 seconds. Set the safety to ON position. Assemble tip and guard. (See following section).

TIP AND GUARD ASSEMBLY

1. Insert metal seal and "black bellow" seal assembly by placing seals on the end of T93R Contractor tip and insert through guard. Line up seals by turning tip.
2. Insert Tip
3. Screw assembly onto gun. Hand tighten.

SPRAYING

1. Spray test pattern. Start with pressure turned to its lowest setting, then gradually increase pressure until you achieve a consistent spray pattern without heavy edges. Use smaller tip size if pressure adjustment cannot eliminate heavy edges.
2. Hold gun perpendicular 10-12 inches in of front surface. Spray back and forth overlapping by 30%. To prevent heavy spots, start moving the gun before pulling the trigger. When spraying, after releasing trigger continue to move gun.

CLEARING CLOGGED TIP

- a) Release trigger, put safety ON.
- b) Rotate T93R Tip so the arrow is pointing backwards.
- c) Take safety OFF
- d) Trigger gun to clear clog. Never point gun at your hand or in a rag!

RETURN TO SPRAY

- a) Put Safety ON.
- b) Return Tip to spray position.
- c) Take safety OFF and continue spraying.

CLEAN UP

1. Turn power OFF and unplug sprayer.
2. Turn pressure to lowest setting. Trigger gun to relieve pressure.
3. Put prime hose in pail. Turn the prime / spray valve so the handle is pointing down.
4. Remove guard and T93R tip. Clean tip with soft bristle brush. **DO NOT STORE IN WATER.**
5. Remove suction hose from paint and place in flushing fluid. Use water for water base paint and mineral spirits for oil base paint.
6. Plug in sprayer. Turn power ON. Turn the prime / spray valve so the handle is horizontal.
7. Hold gun against paint pail. Take trigger safety OFF. Trigger gun and increase pressure until flushing fluid appears.
8. Move gun to flushing pail, hold gun against pail. Trigger gun to thoroughly flush system. Release trigger and put trigger safety ON.
9. Turn the prime / spray valve so the handle is pointing down and allow flushing fluid to circulate for 1 to 2 minutes to clean prime hose.
10. Raise the suction hose just above the flushing fluid and run sprayer for 15 to 30 seconds to drain fluid. Turn power off.
11. Close prime / spray valve. Trigger gun into flushing pail to purge fluid from hose.
12. Open prime / spray valve. Then close. Do not store with prime / spray valve open.
13. Remove filter from gun and sprayer, if installed. Clean and inspect. Reinstall filters.
14. If flushing with water, flush again with mineral spirits or TriTech Pump Cleaner to leave a protective coating to prevent freezing or corrosion.
15. Unplug power cord from outlet and wipe sprayer, hose and gun with rag soaked in water or mineral spirits.

PRESSURE RELIEF PROCEDURE

The sprayer's pressure must be manually relieved to prevent sprayer from starting or spraying accidentally. Fluid under high pressure can be injected through skin and cause serious injury. To reduce risk of injury from injection, splashing fluid, or moving parts, Follow the **PressureRelief Procedure** whenever you:

- Are instructed to relieve pressure
- Stop spraying
- Need to check or service any system equipment
- Install or clean spray tip

PRESSURE RELIEF PROCEDURE

- 1) Turn the pressure control knob counterclockwise until it stops.
- 2) Turn OFF the sprayer.
- 3) Unplug the power cord.
- 4) Place the metal part of the gun firmly against the grounded metal container.
- 5) Place a rag over the container to protect against blow-back and trigger the gun to relieve pressure.
- 6) Engage the trigger lock.
- 7) Open the PRIME / SPRAY VALVE so the handle is pointing down. Leave it in this position until next use.

NOTE: If suspected that spray tip or hose is completely clogged, or that pressure has not been fully relieved after following steps above. **SLOWLY** loosen tip guard or hose end coupling to relieve pressure gradually, and then loosen completely. Clear tip or hose obstruction.

ELECTRICAL SHOCK WARNING

To reduce risk of serious injury, including electric shock, do not touch moving or electrical parts with fingers or tools while testing repair. Shut off and unplug sprayer when inspection is complete. Install all covers, guards, gaskets, screws and washers before operating sprayer.

PROBLEM	WHAT TO CHECK	REMEDY
MOTOR WILL NOT TURN ON	<ol style="list-style-type: none">1 - Unit is not plugged in.2 - Pressure is set too low.3 - The circuit breaker is open.	<ol style="list-style-type: none">1 - Plug the unit in.2 - Increase pressure.3 - Check the breaker and reset if needed.
UNIT WILL NOT PRIME	<ol style="list-style-type: none">1 - Suction hose is loose.2 - Suction filter is clogged.3 - Inlet ball is stuck.4 - Outlet ball is stuck.	<ol style="list-style-type: none">1 - Check the o-rings and tighten the suction hose.2 - Clean or replace the suction filter3 - Remove the suction hose and move the inlet ball with the eraser end of a pencil.4 - Remove the suction hose and the inlet valve. Move the outlet ball with the eraser end of a pencil.
PUMP BUILDS PRESSURE BUT WILL NOT SHUT OFF	<ol style="list-style-type: none">1 - The inlet ball or seat are obstructed or chipped.2 - Outlet ball or seat are obstructed or chipped.3 - Prime valve is leaking.	<ol style="list-style-type: none">1 - Clean or replace if needed.2 - Clean or replace if needed.3 - Replace the prime valve if coating leaks while under pressure.
PAINT LEAKING FROM WET CUP	<ol style="list-style-type: none">1 - Inspect upper packing.	<ol style="list-style-type: none">1 - Replace upper packing if needed.
PUMP OUTPUT IS LOW	<ol style="list-style-type: none">1 - The spray tip could be worn.2 - The inlet or outlet balls are worn.3 - Prime valve is worn.	<ol style="list-style-type: none">1 - Inspect the tip by checking the fan pattern width. If worn, replace.2 - Inspect the inlet and outlet balls for damage. Replace if worn.3 - If the prime valve leaks while spraying, clean or replace is worn.

NOTE: Before performing and inspection or repair, make sure to follow the pressure relief Procedure. Never attempt to do any service while the unit is plugged in or under pressure.

WICHTIGE SICHERHEITSHINWEISE

BEWAHREN SIE DIESE ANLEITUNG AUF - Um das Risiko von Feuer oder Explosion, elektrischem Schlag und Personenschäden zu verringern, lesen und verstehen Sie alle Anweisungen. Machen Sie sich mit der Einrichtung und dem Betrieb vertraut, bevor Sie dieses Gerät verwenden.

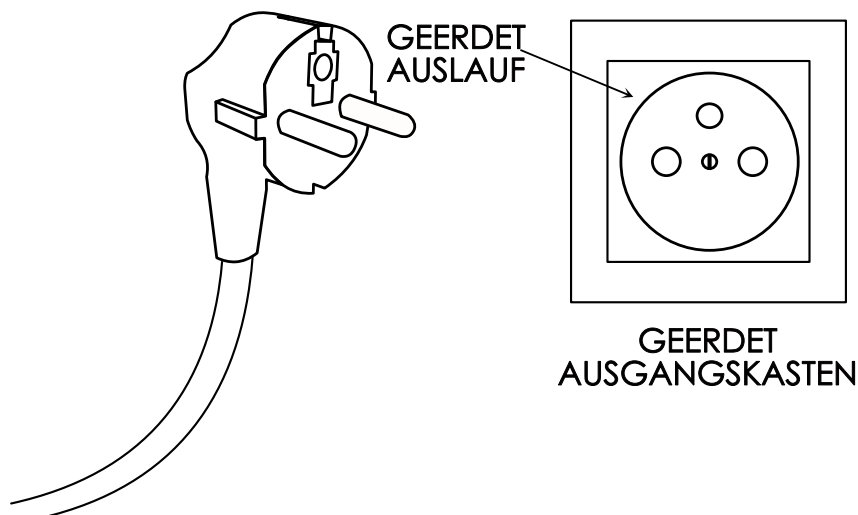
ERDUNG

Dieses Produkt muss geerdet werden. Im Falle eines elektrischen Kurzschlusses reduziert die Erdung das Risiko eines Stromschlags, indem sie einen Ableitungsdraht für den elektrischen Strom bereitstellt. Dieses Produkt ist mit einem Erdungskabel mit einem geeigneten Erdungsstecker ausgestattet. Der Stecker muss in eine Steckdose gesteckt werden, die ordnungsgemäß installiert und gemäß allen örtlichen Vorschriften und Verordnungen geerdet ist. Stellen Sie sicher, dass der Erdungsstift am Netzkabel des Geräts intakt ist, und stellen Sie, falls verwendet, sicher, dass der Erdungsstift des Verlängerungskabels ebenfalls intakt ist.

WARNUNG - Unsachgemäße Installation des Erdungsstifts kann zu Stromschlaggefahr führen. Wenn eine Reparatur oder ein Austausch des Kabels oder Steckers erforderlich ist, schließen Sie das Erdungskabel nicht an einen der Flachstecker-Hauptanschlüsse an. Der Draht mit der grünen oder grün/gelben Isolierung ist der Erdungsdraht.

Wenden Sie sich an einen qualifizierten Elektriker oder Servicetechniker, wenn Sie die Erdungsanweisungen nicht vollständig verstanden haben oder Zweifel haben, ob das Produkt ordnungsgemäß geerdet ist. Verändern Sie den mitgelieferten Stecker nicht. Wenn der Stecker nicht in die Steckdose passt, lassen Sie die richtige Steckdose von einem qualifizierten Elektriker installieren.

Produkte, die mit einem Nennstromkreis von 110 VAC betrieben werden, haben einen Erdungsstecker ähnlich dem unten abgebildeten. Schließen Sie das Produkt nur an eine Steckdose an, die die gleiche Konfiguration wie der Stecker hat. Verwenden Sie keinen 3-zu-2-Blatt-Adapter



WICHTIGE SICHERHEITSHINWEISE

WARNUNG – Um die Brand- oder Explosionsgefahr zu verringern.

- Sprühen Sie kein entflammbares oder brennbares Material in die Nähe einer offenen Flamme oder Zündquelle wie Zigaretten, Motoren, Plastikschtütücher und elektrische Geräte.
- Stecken Sie das Netzkabel nicht ein oder aus, wenn brennbare Dämpfe vorhanden sind.
- Wenn es einen statischen Funken gibt oder Sie einen Schlag spüren, stellen Sie die Verwendung sofort ein. Verwenden Sie das Gerät erst, wenn Sie das Problem identifiziert und behoben haben.
- Sprühen oder reinigen Sie nicht mit Materialien mit einem Flammpunkt unter 100° F (38° C).
- Farbe oder Lösungsmittel, die durch das Gerät fließen, können zu statischer Elektrizität führen. Statische Elektrizität führt in Gegenwart von Farb- oder Lösungsmitteldämpfen zu Brand- oder Explosionsgefahr. Alle Teile des Spritzsystems, einschließlich Pumpe, Schlauchleitung, Spritzpistole und Gegenstände im und um den Spritzbereich müssen ordnungsgemäß geerdet sein, um vor statischer Entladung und Funken zu schützen. Verwenden Sie nur leitfähige oder geerdete Hochdruck-Airless-Farbspritzschläuche, die von TriTech Industries, Inc.
- Stellen Sie sicher, dass alle Behälter und Sammelsysteme geerdet sind, um statische Entladungen zu vermeiden.
- An eine geerdete Steckdose anschließen und geerdete Verlängerungskabel verwenden. Verwenden Sie keinen 3-zu-2-Adapter.
- Verwenden Sie keine Farbe oder Lösungsmittel, die halogenierte Kohlenwasserstoffe enthalten.
- Spritzbereich gut belüftet halten. Sorgen Sie für ausreichend frische Luft, die durch den Bereich strömt. Bewahren Sie die Pumpenbaugruppe in einem gut belüfteten Bereich auf. Pumpenbaugruppe nicht besprühen.
- Im Sprühbereich nicht rauchen.
- Betreiben Sie keine Lichtschalter, Motoren oder ähnliche funkenerzeugende Produkte im Sprühbereich oder wenn brennbare Dämpfe vorhanden sind.
- Halten Sie den Bereich sauber und frei von Farb- oder Lösungsmittelbehältern, Lappen und anderen brennbaren Materialien.
- Spritzgerät erzeugt Funken. Wenn brennbare Flüssigkeiten in oder in der Nähe des Spritzgeräts zum Spülen oder Reinigen verwendet werden, halten Sie das Spritzgerät mindestens 6,1 Meter (20 Fuß) von explosiven Dämpfen entfernt.
- Informieren Sie sich über die Inhaltsstoffe der zu versprühenden Farben und Lösungsmittel. Lesen Sie alle Materialsicherheitsdatenblätter (MSDS) und Behälteretiketten, die mit den Farben und Lösungsmitteln geliefert werden. Befolgen Sie die Sicherheitshinweise des Farb- und Lösungsmittelherstellers.
- Feuerlöschgeräte müssen vorhanden und funktionsfähig sein.

WICHTIGE SICHERHEITSHINWEISE

WARNUNG – Um das Risiko einer Hautinjektion zu verringern.

Hochdruckflüssigkeit aus Spitze, Pistole, Schlauchlecks oder gerissenen Komponenten durchsticht die Haut. Das sieht vielleicht nur wie ein Schnitt aus, ist aber eine schwere Verletzung, die zu einer Amputation führen kann. Lassen Sie sich sofort operieren.

- Richten Sie die Pistole nicht auf Personen oder Tiere und besprühen Sie sie nicht
- Halten Sie Hände und andere Körperteile von der Entladung fern. Versuchen Sie zum Beispiel nicht, Lecks mit irgendeinem Körperteil zu stoppen.
- Verwenden Sie immer den Düsenschutz der Spritzpistole. Nicht ohne Spritzpistolenspitzenschutz spritzen.
- Verwenden Sie nur Spritzpistolenspitzen von TriTech Industries, Inc.
- Gehen Sie beim Reinigen und Wechseln der Spritzpistolenspitzen vorsichtig vor. Falls die Spitze der Spritzpistole beim Spritzen verstopft, befolgen Sie die Anweisungen des Herstellers zum Abschalten des Geräts und zum Ablassen des Drucks, bevor Sie die Spitze der Spritzpistole entfernen, um sie zu reinigen oder auszutauschen.
- Lassen Sie das Gerät nicht unbeaufsichtigt unter Spannung oder unter Druck stehen. Wenn das Gerät nicht verwendet wird, schalten Sie es aus und entlasten Sie den Druck gemäß den unten aufgeführten Anweisungen von TriTech Industries, Inc. ***
- Hochdruckspray kann Giftstoffe in den Körper injizieren und schwere Körperverletzungen verursachen. Im Falle einer Injektion suchen Sie sofort einen Arzt auf.
- Schläuche und Teile auf Beschädigungen prüfen. Ersetzen Sie beschädigte Schläuche oder Teile.
- Dieses System kann 3300 psi erzeugen. Verwenden Sie nur Ersatz- oder Zubehörteile, die von TriTech Industries, Inc. spezifiziert und für mindestens 3300 psi ausgelegt sind.
- Aktivieren Sie immer die Abzugssperre der Pistole, wenn Sie nicht spritzen. Stellen Sie sicher, dass die Abzugssperre der Pistole ordnungsgemäß funktioniert.
- Vergewissern Sie sich, dass alle Verbindungen sicher sind, bevor Sie das Gerät in Betrieb nehmen.
- Wissen, wie man das Gerät stoppt und den Druck schnell ablässt. Machen Sie sich gründlich mit den Bedienelementen vertraut.

*** DRUCKENTLASTUNGSVERFAHREN

- 1) Drehen Sie den Druckregler bis zum Anschlag gegen den Uhrzeigersinn.
- 2) Schalten Sie das Spritzgerät aus.
- 3) Ziehen Sie das Netzkabel nicht ab.
- 4) Setzen Sie den Metallteil der Pistole fest auf den geerdeten Metallbehälter.
- 5) Legen Sie einen Lappen über den Behälter, um ihn vor einem Rückschlag zu schützen, und lösen Sie die Pistole aus, um den Druck zu entlasten.
- 6) Aktivieren Sie die Abzugssperre.
- 7) Öffnen Sie das PRIME / SPRAY VALVE so, dass der Griff nach unten zeigt. Belassen Sie es in dieser Position bis zum nächsten Gebrauch.

WICHTIGE SICHERHEITSHINWEISE

WARNUNG – Um das Verletzungsrisiko zu verringern.

- Tragen Sie beim Lackieren immer geeignete Handschuhe, Augenschutz, Gehörschutz und eine Atemschutzmaske oder Maske.
- Nicht in der Nähe von Kindern betreiben oder sprühen. Halten Sie Kinder jederzeit von der Ausrüstung fern.
- Überstrecken Sie sich nicht und stellen Sie sich nicht auf eine instabile Unterlage. Behalten Sie jederzeit einen sicheren Stand und das Gleichgewicht.
- Bleiben Sie wachsam und beobachten Sie, was Sie tun.
- Betreiben Sie das Gerät nicht, wenn Sie müde sind oder unter dem Einfluss von Drogen oder Alkohol stehen.
- Knicken oder knicken Sie den Schlauch nicht.
- Setzen Sie den Schlauch keinen Temperaturen oder Drücken aus, die über den vom Hersteller angegebenen Werten liegen.
- Verwenden Sie den Schlauch nicht als Stützelement zum Ziehen oder Anheben des Geräts.
- Um das Risiko eines Stromschlags zu verringern, setzen Sie es keinem Regen aus. Drinnen lagern.
- Schalten Sie das Gerät aus und ziehen Sie den Netzstecker, bevor Sie Geräte warten.

WARNUNG – Um das Verletzungsrisiko zu verringern, besteht Gefahr durch unter Druck stehende Aluminiumteile.

- Verwenden Sie kein 1,1,1-Trichlorethan, Methylenchlorid, halogenierte Kohlenwasserstoffe (ein Lösungsmittel, das Fluor, Brom, Chlor oder Jod enthält) und Beispiele für diese Materialien – wie Methylbrom, Tetrachlorkohlenstoff und Ethyljodid.

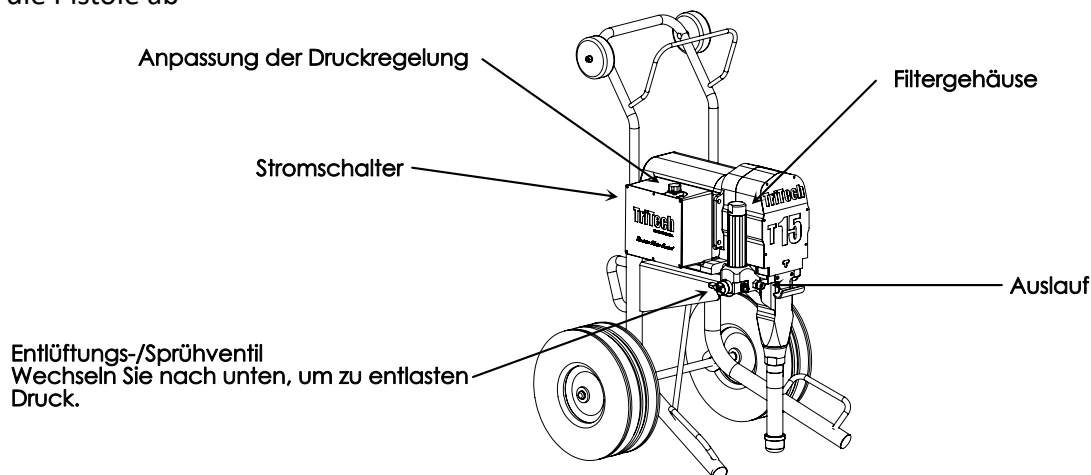
WICHTIGE SICHERHEITSHINWEISE

WARNUNG – Um das Verletzungsrisiko zu verringern, besteht Gefahr durch unter Druck stehende Aluminiumteile.

- Kein 1,1,1-Trichlorethan, Methylenchlorid, halogenierte Kohlenwasserstoffe verwenden (ein Lösungsmittel, das Fluor, Brom, Chlor oder Jod enthält) und Beispiele für diese Materialien – wie Methylbrom, Tetrachlorkohlenstoff und Ethyljodid.

WARNUNG – Gefahr des Gerätemissbrauchs

- Überprüfen Sie die Ausrüstung täglich. Reparieren oder ersetzen Sie verschlissene oder beschädigte Teile umgehend durch Original-Ersatzteile von TriTech Industries, Inc.
- Verändern oder modifizieren Sie dieses Gerät nicht.
- Geräte nur für den vorgesehenen Zweck verwenden. Rufen Sie den Kundendienst von TriTech Industries, Inc. oder Ihren TriTech Industries, Inc.-Händler an, um weitere Informationen zu erhalten.
- Verlegen Sie Schläuche, Kabel und Verlängerungskabel fern von stark frequentierten Bereichen, scharfen Kanten, beweglichen Teilen und heißen Oberflächen. Wenn der Sprühschlauch ersetzt werden muss, ersetzen Sie ihn nur durch den identischen Schlauch, der mit dem Sprühgerät geliefert wurde.
- Verlängerungskabel, nur dreidriger geerdeter Typ.
 - o Verwenden Sie nur Verlängerungskabel mit Stecker und Steckdose, die zum mitgelieferten Stecker passen.
 - o Untersuchen Sie das Verlängerungskabel vor dem Gebrauch auf Beschädigungen und ersetzen Sie es gegebenenfalls
 - o Akzeptable Verlängerungskabellängen:
 - 14 AWG 25 Fuß maximal
 - 12 AWG 50 Fuß maximal
 - 10 AWG 100 Fuß maximal
- Eimer – Flüssigkeiten auf Lösungsmittel- und Ölbasis: Befolgen Sie die örtlichen Vorschriften;
 - o Verwenden Sie nur leitfähige Metalleimer, die auf einer geerdeten Oberfläche stehen.
 - o Stellen Sie keine Eimer auf nichtleitende Oberflächen wie Papier, Pappe oder Holz, die den Boden unterbrechen.
 - o Um den Erdungsdurchgang beim Spülen oder Druckentlasten aufrechtzuerhalten: Halten Sie das Metallteil der Spritzpistole mit entfernter Airless-Düse fest an die Seite des geerdeten Metalleimers und ziehen Sie dann die Pistole ab



START-UP

1. Verbinden Sie den TriTech Airless-Schlauch mit dem Spritzgerät. Fest anziehen.
2. Schließen Sie das andere Ende des Schlauchs an die Pistole an.
3. Fest anziehen.
4. Spitzenschutz entfernen.
5. Überprüfen Sie das Einlasssieb auf Verstopfungen und Ablagerungen.
6. Füllen Sie den oberen Haltering mit TriLube, um vorzeitigen Packungsverschleiß zu vermeiden. Tun Sie dies jedes Mal, wenn Sie sprühen.
7. Stecken Sie das Netzkabel in eine ordnungsgemäß geerdete Steckdose.
8. Stellen Sie den Siphon-Schlauchsatz in einen geerdeten Metallbehälter, der teilweise mit Spülflüssigkeit gefüllt ist. Verwenden Sie Lösungsbenzin, um Lageröl auszuspülen.
9. Druckregler auf niedrigsten Druck drehen. Öffnen Sie das Entlüftungs-/Spritzventil, sodass der Griff nach unten zeigt.
10. Schalten Sie das Gerät ein.
11. Erhöhen Sie den Druck, um den Motor zu starten, und lassen Sie die Flüssigkeit 15 Sekunden lang durch das Ansaugrohr zirkulieren; dann druck runter.
12. Drehen Sie das Entlüftungs-/Sprühventil in die Sprühposition oder so, dass der Griff horizontal ist. Stellen Sie die Abzugssicherung der Spritzpistole auf OFF.
13. Pistole gegen geerdeten Metallbehälter halten. Pistole abziehen und Materialdruck auf die Hälfte erhöhen. 1 Minute spülen. Auf Lecks untersuchen. Wenn ein Leck auftritt, befolgen Sie das Druckentlastungsverfahren und ziehen Sie die Verbindung fest, wenn ein Leck aufgetreten ist. Versuchen Sie nicht, Lecks mit der Hand oder einem Lappen zu stoppen! Wiederholen Sie Inbetriebnahme 9-13 erneut. Wenn keine Lecks vorhanden sind, fahren Sie fort.
14. Stellen Sie das Siphonrohr in den Farbeimer.
15. Pistole erneut in den Metallbehälter abziehen, bis Farbe erscheint. Pistole zum Farbeimer bewegen und 20 Sekunden lang auslösen. Stellen Sie die Sicherheit auf die ON-Position. Spitze und Schutz zusammenbauen. (Siehe folgenden Abschnitt).

MONTAGE DER SPITZE UND DES SCHUTZES

1. Setzen Sie die Metaldichtung und die „schwarze Faltenbalg“-Dichtungsbaugruppe ein, indem Sie die Dichtungen am Ende der T93R Contractor-Spitze anbringen und durch den Schutz einführen. Richten Sie die Dichtungen aus, indem Sie die Spitze drehen.
2. Spitze einsetzen
3. Baugruppe auf Pistole schrauben. Handfest anziehen.

SPRÜHEN

1. Testmuster sprühen. Beginnen Sie mit dem Druck auf der niedrigsten Einstellung und erhöhen Sie dann den Druck allmählich, bis Sie ein gleichmäßiges Sprühmuster ohne starke Kanten erzielen. Verwenden Sie eine kleinere Spitzengröße, wenn die Druckeinstellung starke Kanten nicht beseitigen kann.
2. Halten Sie die Pistole 10-12 Zoll senkrecht zur Vorderfläche. 30 % überlappend hin und her sprühen. Um schwere Flecken zu vermeiden, beginnen Sie, die Pistole zu bewegen, bevor Sie den Abzug betätigen. Beim Spritzen Pistole nach Loslassen des Abzugshebels weiterbewegen.

BESEITIGUNG VERSTOPFTER SPITZE

- a) Auslöser loslassen, Sicherheit einschalten.
- b) Drehen Sie die T93R-Spitze so, dass der Pfeil nach hinten zeigt.
- c) Nehmen Sie die Sicherheit AUS
- d) Pistole abziehen, um Verstopfung zu beseitigen. Richten Sie die Waffe niemals auf Ihre Hand oder in einen Lappen!

ZURÜCK ZUM SPRITZEN

- a) Sicherheit einschalten.
- b) Bringen Sie die Spitze wieder in die Sprühposition.
- c) Nehmen Sie die Sicherheit AUS und fahren Sie mit dem Sprühen fort.

AUFRÄUMEN

1. Schalten Sie den Strom AUS und trennen Sie das Spritzgerät.
2. Drehen Sie den Druck auf die niedrigste Einstellung. Abzugspistole zur Druckentlastung.
3. Legen Sie den Ansaugschlauch in den Eimer. Drehen Sie das Entlüftungs-/Sprühventil so, dass der Griff nach unten zeigt.
4. Schutz und T93R-Spitze entfernen. Spitze mit weicher Borstenbürste reinigen. NICHT IN WASSER LAGERN.
5. Saugschlauch vom Lack lösen und in Spülflüssigkeit einlegen. Verwenden Sie Wasser für Farbe auf Wasserbasis und Lösungsbenzin für Farbe auf Ölbasis.
6. Spritzgerät einstecken. Schalten Sie das Gerät ein. Drehen Sie das Entlüftungs-/Sprühventil so, dass der Griff horizontal steht.
7. Pistole gegen Farbeimer halten. Abzugssicherung auf OFF stellen. Pistole abziehen und Druck erhöhen, bis Spülflüssigkeit austritt.
8. Pistole zum Spüleimer bewegen, Pistole gegen Eimer halten. Pistole abziehen, um das System gründlich zu spülen. Lassen Sie den Abzug los und stellen Sie die Abzugssicherung auf EIN.
9. Drehen Sie das Ansaug-/Sprühventil so, dass der Griff nach unten zeigt, und lassen Sie die Spülflüssigkeit 1 bis 2 Minuten lang zirkulieren, um den Ansaugschlauch zu reinigen.
10. Heben Sie den Saugschlauch direkt über die Spülflüssigkeit und lassen Sie das Spritzgerät 15 bis 30 Sekunden lang laufen, um die Flüssigkeit abzulassen. Ausschalten.
11. Entlüftungs-/Sprühventil schließen. Die Pistole in den Spüleimer stecken, um Flüssigkeit aus dem Schlauch zu entfernen.
12. Entlüftungs-/Sprühventil öffnen. Dann schließen. Nicht mit geöffnetem Entlüftungs-/Sprühventil lagern.
13. Entfernen Sie den Filter von der Pistole und dem Spritzgerät, falls installiert. Reinigen und prüfen. Filter neu installieren.

DRUCKENTLASTUNGSVERFAHREN

Der Druck des Spritzgeräts muss manuell entlastet werden, um zu verhindern, dass das Spritzgerät versehentlich startet oder spritzt. Flüssigkeit unter hohem Druck kann durch die Haut injiziert werden und schwere Verletzungen verursachen. Um das Verletzungsrisiko durch Injektionen, Flüssigkeitsspritzer oder bewegliche Teile zu verringern, befolgen Sie die Vorgehensweise zur Druckentlastung, wann immer Sie:

- angewiesen werden, den Druck zu entlasten
- Sprühen Sie nicht mehr
- Alle Systemgeräte müssen überprüft oder gewartet werden
- Spritzdüse montieren oder reinigen

DRUCKENTLASTUNGSVERFAHREN

- 1) Drehen Sie den Druckregler bis zum Anschlag gegen den Uhrzeigersinn.
- 2) Schalten Sie das Spritzgerät aus.
- 3) Ziehen Sie das Netzkabel nicht ab.
- 4) Setzen Sie den Metallteil der Pistole fest auf den geerdeten Metallbehälter.
- 5) Legen Sie einen Lappen über den Behälter, um ihn vor einem Rückschlag zu schützen, und lösen Sie die Pistole aus, um den Druck zu entlasten.
- 6) Aktivieren Sie die Abzugssperre.
- 7) Öffnen Sie das PRIME / SPRAY VENT, so dass der Griff nach unten zeigt. Belassen Sie es in dieser Position bis zum nächsten Gebrauch.

HINWEIS:

Wenn der Verdacht besteht, dass die Spritzdüse oder der Schlauch vollständig verstopft sind oder dass der Druck nach den oben genannten Schritten nicht vollständig abgebaut wurde. Lösen Sie den Spitzenschutz oder die Schlauchendkupplung **LANGSAM**, um den Druck allmählich zu entlasten, und lösen Sie sie dann vollständig. Beseitigen Sie eine Verstopfung der Spitze oder des Schlauchs.

PROBLEM	WAS ÜBERPRÜFEN	ABHILFE
MOTOR LÄSST SICH NICHT EINSCHALTEN	<ul style="list-style-type: none"> 1 - Gerät ist nicht angeschlossen. 2 - Druck ist zu niedrig eingestellt. 3 - Der Leistungsschalter ist offen. 	<ul style="list-style-type: none"> 1 - Schließen Sie das Gerät an. 2 - Druck erhöhen. 3 - Überprüfen Sie den Unterbrecher und setzen Sie ihn gegebenenfalls zurück.
GERÄT LÄUFT NICHT VOR	<ul style="list-style-type: none"> 1 - Saugschlauch ist locker. 2 - Saugfilter ist verstopft. 3 - Einlasskugel klemmt. 4 - Auslasskugel klemmt. 	<ul style="list-style-type: none"> 1 - Überprüfen Sie die O-Ringe und ziehen Sie den Saugschlauch fest. 2 - Reinigen oder ersetzen Sie den Ansaugfilter 3 - Entfernen Sie den Saugschlauch und bewegen Sie die Einlasskugel mit dem Radiergummiende eines Bleistifts. 4 - Entfernen Sie den Saugschlauch und das Einlassventil. Bewegen Sie die Auslasskugel mit dem Radiergummiende eines Bleistifts.
PUMPE BAUT DRUCK AUF, SCHALTET ABER NICHT AB	<ul style="list-style-type: none"> 1 - Die Einlasskugel oder der Sitz sind verstopft oder abgebrochen. 2 - Auslasskugel oder Sitz sind verstopft oder abgebrochen. 3 - Entlüftungsventil ist undicht. 	<ul style="list-style-type: none"> 1 - Reinigen oder bei Bedarf ersetzen. 2 - Bei Bedarf reinigen oder ersetzen. 3 - Ersetzen Sie das Entlüftungsventil, wenn die Beschichtung unter Druck austritt.
FARBE AUS NASSEM BECHER AUSLAUFEN	<ul style="list-style-type: none"> 1 - Überprüfen Sie die obere Verpackung. 	<ul style="list-style-type: none"> 1 - Ersetzen Sie bei Bedarf die obere Packung.
PUMPENLEISTUNG IST NIEDRIG	<ul style="list-style-type: none"> 1 - Die Spritzdüse könnte abgenutzt sein. 2 - Die Einlass- oder Auslasskugeln sind verschlissen. 3 - Entlüftungsventil ist verschlissen. 	<ul style="list-style-type: none"> 1 - Inspizieren Sie die Spitze, indem Sie die Breite des Fächerusters überprüfen. Wenn verschlissen, ersetzen. 2 - Untersuchen Sie die Einlass- und Auslasskugeln auf Beschädigungen. Bei Verschleiß ersetzen. 3 - Wenn das Entlüftungsventil beim Spritzen leckt, reinigen oder ersetzen, wenn es abgenutzt ist.

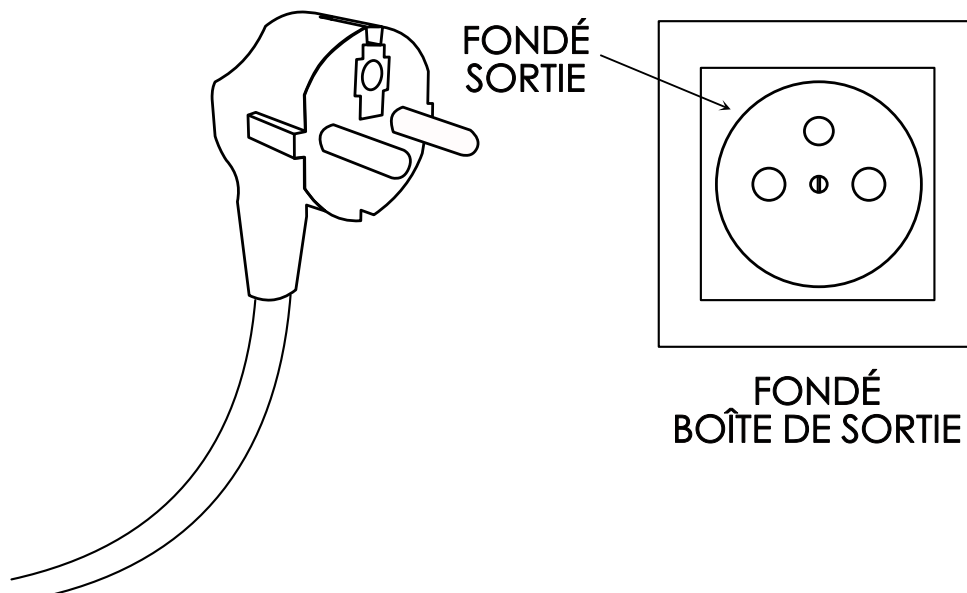
HINWEIS: Stellen Sie vor der Durchführung und Inspektion oder Reparatur sicher, dass Sie die Druckentlastung befolgen. Versuchen Sie niemals, Wartungsarbeiten durchzuführen, während das Gerät angeschlossen ist oder unter Druck steht.

INFORMATIONS DE SÉCURITÉ IMPORTANTES

MISE À LA TERRE

Ce produit doit être mis à la terre. En cas de court-circuit électrique, la mise à la terre réduit le risque de choc électrique en fournissant un fil d'échappement pour le courant électrique. Ce produit est équipé d'un cordon ayant un fil de terre avec une fiche de mise à la terre appropriée. La fiche doit être branchée dans une prise correctement installée et mise à la terre conformément à tous les codes et ordonnances locaux. Assurez-vous que la broche de terre est intacte sur le cordon d'alimentation de l'équipement et, le cas échéant, assurez-vous que la broche de terre de la rallonge est également intacte.

AVERTISSEMENT - Une mauvaise installation de la broche de mise à la terre peut entraîner un risque de choc électrique. Lorsque la réparation ou le remplacement du cordon ou de la prise est nécessaire, ne connectez pas le fil de mise à la terre aux bornes principales à lame plate. Le fil avec l'isolation verte ou verte/jaune est le fil de mise à la terre. Vérifiez auprès d'un électricien ou d'un réparateur qualifié lorsque les instructions de mise à la terre ne sont pas complètement comprises ou en cas de doute quant à la mise à la terre correcte du produit. Ne modifiez pas la prise fournie. Si la fiche ne rentre pas dans la prise, faites installer la prise appropriée par un électricien qualifié. Les produits qui fonctionnent sur un circuit nominal de 110 VAC ont une fiche de mise à la terre similaire à celle illustrée ci-dessous. Branchez le produit uniquement sur une prise ayant la même configuration que la fiche. N'utilisez pas d'adaptateur 3 à 2 lames



INFORMATIONS DE SÉCURITÉ IMPORTANTES

AVERTISSEMENT – Pour réduire le risque d'incendie ou d'explosion.

- Ne vaporisez pas de matières inflammables ou combustibles à proximité d'une flamme nue ou d'une source d'inflammation comme des cigarettes, des moteurs, des toiles de protection en plastique et des équipements électriques.
- Ne pas brancher ou débrancher le cordon d'alimentation en présence de vapeurs inflammables.
- S'il y a une étincelle statique ou si vous ressentez un choc, arrêtez immédiatement l'utilisation. N'utilisez pas l'équipement tant que vous n'avez pas identifié et corrigé le problème.
- Ne pas pulvériser ou nettoyer avec des matériaux dont le point d'éclair est inférieur à 100° F (38° C).
- La peinture ou le solvant circulant dans l'équipement peut générer de l'électricité statique. L'électricité statique crée un risque d'incendie ou d'explosion en présence de vapeurs de peinture ou de solvant. Toutes les pièces du système de pulvérisation, y compris la pompe, le tuyau, le pistolet et les objets dans et autour de la zone de pulvérisation doivent être correctement mis à la terre pour les protéger contre les décharges statiques et les étincelles. Utilisez uniquement des tuyaux de pulvérisation de peinture sans air haute pression conducteurs ou mis à la terre spécifiés par TriTech Industries, Inc.
- Vérifiez que tous les conteneurs et systèmes collectifs sont mis à la terre pour éviter les décharges statiques.
- Connectez-vous à une prise mise à la terre et utilisez des rallonges mises à la terre. N'utilisez pas d'adaptateur 3 à 2.
- Ne pas utiliser de peinture ou de solvant contenant des hydrocarbures halogénés.
- Gardez la zone de pulvérisation bien ventilée. Gardez un bon apport d'air frais dans la zone. Conservez l'ensemble de la pompe dans un endroit bien aéré. Ne pulvérisiez pas l'ensemble de la pompe.
- Ne fumez pas dans la zone de pulvérisation.
- N'actionnez pas d'interrupteurs d'éclairage, de moteurs ou de produits similaires produisant des étincelles dans la zone de pulvérisation ou en présence de vapeurs inflammables.
- Gardez la zone propre et exempte de contenants de peinture ou de solvant, de chiffons et d'autres matériaux inflammables.
- Le pulvérisateur génère des étincelles. Lorsqu'un liquide inflammable est utilisé dans ou à proximité du pulvérisateur pour le rinçage ou le nettoyage, maintenez le pulvérisateur à au moins 20 pieds (6,1 mètres) Des vapeurs explosives.
- Connaître le contenu des peintures et des solvants pulvérisés. Lisez toutes les fiches de données de sécurité (MSDS) et les étiquettes des contenants fournies avec la peinture et les solvants. Suivez les consignes de sécurité du fabricant de peinture et de solvant.
- L'équipement d'extinction d'incendie doit être présent et fonctionnel.

INFORMATIONS DE SÉCURITÉ IMPORTANTES

AVERTISSEMENT – Pour réduire le risque d'injection cutanée.

Le fluide à haute pression provenant de la buse, du pistolet, des fuites de tuyau ou des composants rompus percera la peau. Cela peut ressembler à une simple coupure, mais il s'agit d'une blessure grave qui peut entraîner une amputation. Obtenez un traitement chirurgical immédiat.

- Ne dirigez pas le pistolet vers, ou ne vaporisez pas une personne ou un animal
- Gardez les mains et les autres parties du corps éloignées de la décharge. Par exemple, n'essayez pas d'arrêter les fuites avec une partie du corps.
- Utilisez toujours le protège-buse du pistolet pulvérisateur. Ne pas pulvériser sans que le protège-buse du pistolet pulvérisateur ne soit en place.
- N'utilisez que des pointes de pistolet TriTech Industries, Inc.
- Soyez prudent lorsque vous nettoyez et changez les buses des pistolets pulvérisateurs. Dans le cas où la pointe du pistolet pulvérisateur se bouche pendant la pulvérisation, suivez les instructions du fabricant pour éteindre l'équipement et relâcher la pression avant de retirer la pointe du pistolet pulvérisateur pour la nettoyer ou la remplacer.
- Ne laissez pas l'appareil sous tension ou sous pression sans surveillance. Lorsque l'appareil n'est pas utilisé, éteignez-le et relâchez la pression conformément aux instructions de TriTech Industries, Inc. indiquées ci-dessous. ***
- La pulvérisation à haute pression est capable d'injecter des toxines dans le corps et de causer des blessures corporelles graves. En cas d'injection, consultez immédiatement un médecin.
- Vérifiez les tuyaux et les pièces pour des signes de dommages. Remplacez tous les tuyaux ou pièces endommagés.
- Ce système est capable de produire 3300 psi. Utilisez uniquement des pièces de rechange ou des accessoires spécifiés par TriTech Industries, Inc. et évalués à un minimum de 3300 psi.
- Verrouillez toujours la gâchette du pistolet lorsque vous ne pulvérisiez pas. Vérifiez que le verrou de la gâchette du pistolet fonctionne correctement.
- Vérifiez que toutes les connexions sont sécurisées avant d'utiliser l'unité.
- Savoir arrêter l'appareil et purger la pression rapidement. Familiarisez-vous parfaitement avec les commandes.

*** PROCÉDURE DE DÉCOMPRESSION

- 1) Tournez le bouton de contrôle de la pression dans le sens antihoraire jusqu'à ce qu'il s'arrête.
- 2) Éteignez le pulvérisateur.
- 3) Ne débranchez pas le cordon d'alimentation.
- 4) Placez fermement la partie métallique du pistolet contre le récipient métallique mis à la terre.
- 5) Placez un chiffon sur le récipient pour le protéger contre le refoulement et actionnez le pistolet pour relâcher la pression.
- 6) Verrouillez la gâchette.
- 7) Ouvrez la SOUPAPE D'AMORÇAGE / DE PULVÉRISATION de sorte que la poignée pointe vers le bas. Laissez-le dans cette position jusqu'à la prochaine utilisation.

INFORMATIONS DE SÉCURITÉ IMPORTANTES

AVERTISSEMENT – Pour réduire le risque de blessure.

- Portez toujours des gants appropriés, une protection oculaire, une protection auditive et un respirateur ou un masque lorsque vous peignez.
- Ne pas utiliser ou pulvériser à proximité d'enfants. Gardez les enfants éloignés de l'équipement en tout temps.
- Ne vous penchez pas en avant ou ne vous tenez pas debout sur un support instable. Gardez une assise et un équilibre efficaces à tout moment.
- Restez vigilant et surveillez ce que vous faites.
- N'utilisez pas l'appareil lorsque vous êtes fatigué ou sous l'influence de drogues ou d'alcool.
- Ne pas plier ou plier le tuyau.
- N'exposez pas le tuyau à des températures ou des pressions supérieures à celles spécifiées par le fabricant.
- N'utilisez pas le tuyau comme élément de force pour tirer ou soulever l'équipement.
- Pour réduire le risque de choc électrique, ne l'exposez pas à la pluie. Conserver à l'intérieur.
- Éteignez l'appareil et débranchez le cordon d'alimentation avant de procéder à l'entretien de l'équipement.

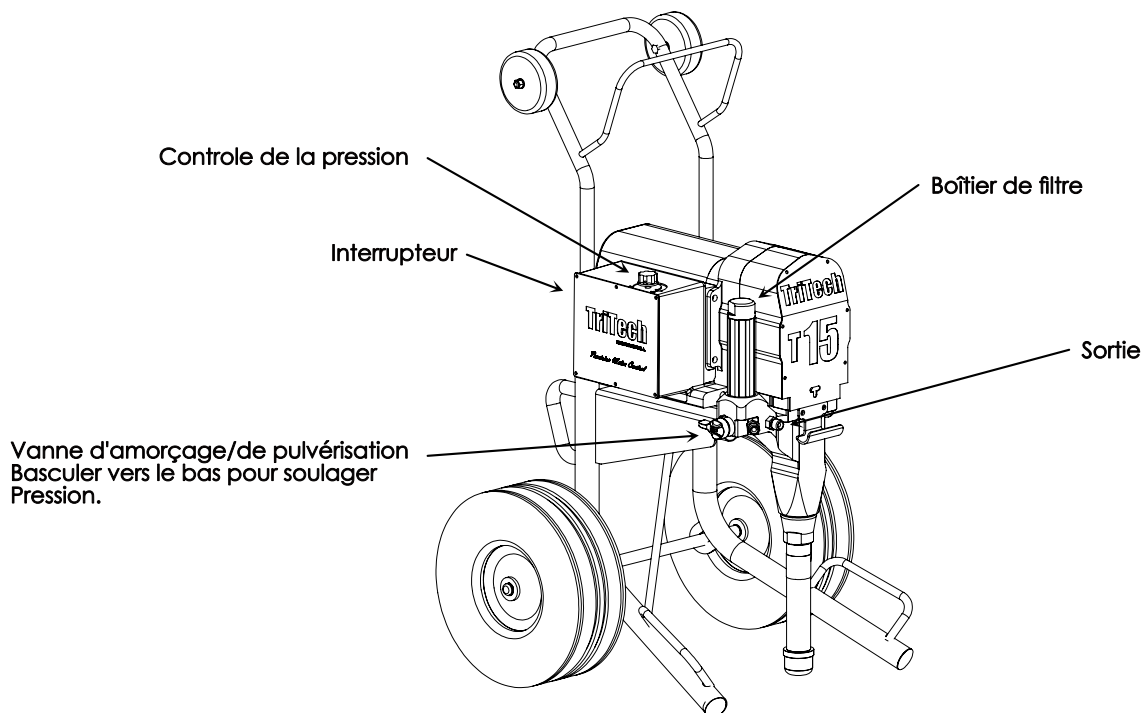
AVERTISSEMENT – Pour réduire le risque de blessure, les pièces en aluminium sous pression sont dangereuses.

- Ne pas utiliser de 1,1,1-trichloroéthane, de chlorure de méthylène, d'hydrocarbures halogénés (un solvant contenant du fluor, du brome, du chlore ou de l'iode) et des exemples de ces matériaux - tels que le brome de méthyle, le tétrachlorure de carbone et l'iodure d'éthyle.

INFORMATIONS DE SÉCURITÉ IMPORTANTES

AVERTISSEMENT – Risque de mauvaise utilisation de l'équipement

- Vérifier l'équipement quotidiennement. Réparez ou remplacez immédiatement les pièces usées ou endommagées par des pièces de rechange d'origine TriTech Industries, Inc.
- Ne pas altérer ou modifier cet équipement.
- N'utiliser l'équipement que pour l'usage auquel il est destiné. Appelez le service clientèle de TriTech Industries, Inc. ou votre distributeur TriTech Industries, Inc. pour plus d'informations.
- Acheminez les tuyaux, les cordons et les rallonges loin des zones à fort trafic, des arêtes vives, des pièces mobiles et des surfaces chaudes. Si le tuyau de pulvérisation doit être remplacé, remplacez-le uniquement Par un tuyau identique fourni avec le pulvérisateur.
- Cordon d'extension, type à trois fils avec mise à la terre uniquement.
 - o Utilisez uniquement une rallonge avec une fiche et une prise correspondant à la fiche fournie sur l'équipement.
 - o Inspectez la rallonge avant utilisation, remplacez-la si nécessaire
 - o Longueurs de rallonge acceptables :
 - ♣ 14 AWG 25 pieds maximum
 - ♣ 12 AWG 50 pieds maximum
 - ♣ 10 AWG 100 pieds maximum
- Seaux – Fluides à base de solvant et d'huile : suivez les codes locaux ;
 - o Utilisez uniquement des seaux métalliques conducteurs placés sur une surface mise à la terre.
 - o Ne placez pas les seaux sur des surfaces non conductrices telles que du papier, du carton ou du bois qui interrompent le sol.
 - o Pour maintenir la continuité de la terre lors du rinçage ou de la décompression : maintenez la partie métallique du pistolet pulvérisateur avec la buse sans air retirée fermement sur le côté du seau métallique mis à la terre, puis actionnez le pistolet.



COMMENCEZ

1. Connectez le tuyau sans air TriTech au pulvérisateur. Bien serrer.
2. Connectez l'autre extrémité du tuyau au pistolet.
3. Serrez fermement.
4. Retirez le protège-buse.
5. Vérifiez la crépine d'entrée pour les obstructions et les débris.
6. Remplissez le dispositif de retenue supérieur de TriLube pour éviter une usure prématurée de la garniture. Faites-le à chaque pulvérisation.
7. Branchez le cordon d'alimentation dans une prise électrique correctement mise à la terre.
8. Placer le jeu de tubes siphons dans un récipient métallique mis à la terre partiellement rempli de liquide de rinçage. Utilisez de l'essence minérale pour rincer l'huile de stockage.
9. Réglez la commande de pression sur la pression la plus basse. Ouvrez la vanne d'amorçage/de pulvérisation de sorte que la poignée pointe vers le bas.
10. Mettez sous tension.
11. Augmentez la pression pour démarrer le moteur et laissez le fluide circuler dans le tube d'amorçage pendant 15 secondes ; puis baissez la pression.
12. Tournez la vanne d'amorçage/de pulvérisation en position de pulvérisation ou de manière à ce que la poignée soit horizontale. Désactivez la sécurité de la gâchette du pistolet pulvérisateur.
13. Maintenez le pistolet contre un récipient métallique mis à la terre. Actionnez le pistolet et augmentez la pression du fluide à mi-chemin. Rincer 1 minute. Inspectez les fuites. Si une fuite se produit, suivez la procédure de décompression, puis serrez le raccord où la fuite s'est produite. N'essayez pas d'arrêter les fuites avec la main ou un chiffon ! Répétez le démarrage 9-13 à nouveau. S'il n'y a pas de fuite, continuez.
14. Placer le tube siphon dans le seau de peinture.
15. Actionnez à nouveau le pistolet dans le récipient métallique jusqu'à ce que la peinture apparaisse. Déplacez le pistolet vers le seau de peinture et appuyez sur la gâchette pendant 20 secondes. Mettre la sécurité en position ON. Assemblez la pointe et la garde. (Voir section suivante).

ENSEMBLE POINTE ET GARDE

1. Insérez le joint métallique et l'ensemble de joint « à soufflet noir » en plaçant les joints à l'extrémité de l'embout de l'entrepreneur T93R et insérez-les à travers la protection. Alignez les joints en tournant la pointe.
2. Insérez la pointe
3. Visser l'ensemble sur le pistolet. Serrer à la main.

PULVÉRISATION

1. Modèle de test de pulvérisation. Commencez avec la pression tournée à son réglage le plus bas, puis augmentez progressivement la pression jusqu'à ce que vous obteniez un motif de pulvérisation constant sans bords épais. Utilisez une taille de buse plus petite si le réglage de la pression ne peut pas éliminer les bords lourds.
2. Tenez le pistolet perpendiculairement à 10-12 pouces de la surface avant. Pulvériser en va-et-vient en se chevauchant de 30 %. Pour éviter les points lourds, commencez à déplacer le pistolet avant d'appuyer sur la gâchette. Lors de la pulvérisation, après avoir relâché la gâchette, continuez à déplacer le pistolet.

DÉGAGEMENT DE LA BUSE OBSTRUÉE

- a) Relâchez la gâchette, mettez la sécurité sur ON.
- b) Faites pivoter l'embout T93R de manière à ce que la flèche pointe vers l'arrière.
- c) Désactivez la sécurité
- d) Actionner le pistolet pour éliminer l'obstruction. Ne pointez jamais le pistolet vers votre main ou dans un chiffon!

RETOUR AU SPRAY

- a) Activez la sécurité.
- b) Remettez la buse en position de pulvérisation.
- c) Désactivez la sécurité et continuez à pulvériser.

NETTOYER

1. Coupez l'alimentation et débranchez le pulvérisateur.
2. Tournez la pression au réglage le plus bas. Déclenchez le pistolet pour relâcher la pression.
3. Mettez le tuyau d'amorçage dans le seau. Tournez la vanne d'amorçage/de pulvérisation de sorte que la poignée soit dirigée vers le bas.
4. Retirez la protection et la buse T93R. Nettoyez la pointe avec une brosse à poils doux. **NE PAS ENTREPOSER DANS L'EAU.**
5. Retirez le tuyau d'aspiration de la peinture et placez-le dans le liquide de rinçage. Utilisez de l'eau pour la peinture à base d'eau et de l'essence minérale pour la peinture à base d'huile.
6. Branchez le pulvérisateur. Mettez sous tension. Tournez la vanne d'amorçage/de pulvérisation de sorte que la poignée soit horizontale.
7. Tenez le pistolet contre le seau de peinture. Désactivez la sécurité de la gâchette. Actionnez le pistolet et augmentez la pression jusqu'à ce que le liquide de rinçage apparaisse.
8. Déplacez le pistolet vers le seau de rinçage, tenez le pistolet contre le seau. Actionner le pistolet pour rincer soigneusement le système. Relâchez la gâchette et activez la sécurité de la gâchette.
9. Tournez la vanne d'amorçage/de pulvérisation de sorte que la poignée soit dirigée vers le bas et laissez le liquide de rinçage circuler pendant 1 à 2 minutes pour nettoyer le tuyau d'amorçage.
10. Soulevez le tuyau d'aspiration juste au-dessus du liquide de rinçage et faites fonctionner le pulvérisateur pendant 15 à 30 secondes pour vidanger le liquide. Coupez l'alimentation.
11. Fermez la vanne d'amorçage/de pulvérisation. Déclenchez le pistolet dans le seau de rinçage pour purger le liquide du tuyau.
12. Ouvrez la vanne d'amorçage/de pulvérisation. Puis fermez. Ne pas entreposer avec la vanne d'amorçage/de pulvérisation ouverte.
13. Retirez le filtre du pistolet et du pulvérisateur, s'il est installé. Nettoyer et inspecter. Réinstallez les filtres.
14. Si vous rincez à l'eau, rincez à nouveau avec de l'essence minérale ou du nettoyant pour pompe TriTech pour laisser une couche de protection contre le gel ou la corrosion.
15. Débranchez le cordon d'alimentation de la prise et essuyez le pulvérisateur, le tuyau et le pistolet avec un chiffon imbibé d'eau ou d'essence minérale.

PROCÉDURE DE DÉCOMPRESSION

La pression du pulvérisateur doit être relâchée manuellement pour éviter que le pulvérisateur ne démarre ou ne pulvérise accidentellement. Un liquide sous haute pression peut être injecté à travers la peau et causer des blessures graves. Pour réduire les risques de blessures dues à l'injection, aux éclaboussures de liquide ou aux pièces mobiles, suivez la Procédure de décompression chaque fois que vous :

- Sont chargés de relâcher la pression
- Arrêtez la pulvérisation
- Besoin de vérifier ou de réparer tout équipement du système
- Installer ou nettoyer la buse de pulvérisation

PROCÉDURE DE DÉCOMPRESSION

- 1) Tournez le bouton de contrôle de la pression dans le sens inverse des aiguilles d'une montre jusqu'à ce qu'il s'arrête.
- 2) Éteignez le pulvérisateur.
- 3) Ne débranchez pas le cordon d'alimentation.
- 4) Placez fermement la partie métallique du pistolet contre le récipient métallique mis à la terre.
- 5) Placez un chiffon sur le récipient pour le protéger contre le refoulement et actionnez le pistolet pour relâcher la pression.
- 6) Verrouillez la gâchette.
- 7) Ouvrez la SOUPAPE D'AMORÇAGE / DE PULVÉRISATION de sorte que la poignée pointe vers le bas. Laissez-le dans cette position jusqu'à la prochaine utilisation.

REMARQUE : Si vous soupçonnez que la buse de pulvérisation ou le tuyau est complètement obstrué, ou que la pression n'a pas été complètement relâchée après avoir suivi les étapes ci-dessus. Desserrez LENTEMENT le protège-embout ou le raccord d'extrémité du tuyau pour relâcher progressivement la pression, puis desserrez complètement. Nettoyez l'obstruction de la buse ou du tuyau.

AVERTISSEMENT DE CHOC ÉLECTRIQUE

Pour réduire les risques de blessures graves, y compris les chocs électriques, ne touchez pas les pièces mobiles ou électriques avec les doigts ou outils tout en testant la réparation. Arrêtez et débranchez le pulvérisateur lorsque l'inspection est terminée. Installez tous les capots, protections, joints, vis et rondelles avant d'utiliser le pulvérisateur.

PROBLÈME	QUE VÉRIFIER	REMÈDE
LE MOTEUR NE S'ALLUME PAS	<ol style="list-style-type: none">1 - L'appareil n'est pas branché.2 - La pression est réglée trop bas.3 - Le disjoncteur est ouvert.	<ol style="list-style-type: none">1 - Branchez l'appareil.2 - Augmenter la pression.3 - Vérifiez le disjoncteur et réarmez-le si nécessaire.
L'UNITÉ NE S'AMORCE PAS	<ol style="list-style-type: none">1 - Le tuyau d'aspiration est desserré.2 - Le filtre d'aspiration est colmaté.3 - La bille d'admission est coincée.4 - La bille de sortie est coincée.	<ol style="list-style-type: none">1 - Vérifier les joints toriques et serrer le tuyau d'aspiration.2 - Nettoyer ou remplacer le filtre d'aspiration3 - Retirez le tuyau d'aspiration et déplacez la bille d'admission avec le bout gomme d'un crayon.4 - Retirer le tuyau d'aspiration et la vanne d'admission. Déplacez la boule de sortie avec le bout gomme d'un crayon.
LA POMPE MONTE EN PRESSION MAIS NE S'ARRÊTE PAS	<ol style="list-style-type: none">1 - La bille ou le siège d'admission sont obstrués ou ébréchés.2 - La bille ou le siège de sortie sont obstrués ou ébréchés.3 - La vanne d'amorçage fuit.	<ol style="list-style-type: none">1 - Nettoyer ou remplacer si nécessaire.2 - Nettoyer ou remplacer si nécessaire.3 - Remplacez la valve d'amorçage si le revêtement fuit sous pression.
LA PEINTURE FUIE DE LA TASSE HUMIDE	<ol style="list-style-type: none">1 - Inspecter la garniture supérieure.	<ol style="list-style-type: none">1 - Remplacer la garniture supérieure si nécessaire.
LE DÉBIT DE LA POMPE EST FAIBLE	<ol style="list-style-type: none">1 - La buse de pulvérisation pourrait être usée.2 - Les billes d'entrée ou de sortie sont usées.3 - La soupape d'amorçage est usée.	<ol style="list-style-type: none">1 - Inspectez la pointe en vérifiant la largeur du motif en éventail. S'il est usé, remplacez-le.2 - Vérifiez que les billes d'entrée et de sortie ne sont pas endommagées. Remplacer si usé.3 - Si la soupape d'amorçage fuit pendant la pulvérisation, la nettoyer ou la remplacer est usée.

REMARQUE: Avant d'effectuer une inspection ou une réparation, assurez-vous de suivre les consignes de décompression Procédure. N'essayez jamais d'effectuer un entretien lorsque l'appareil est branché ou sous pression.

INFORMACION DE SEGURIDAD IMPORTANTE

GUARDE ESTAS INSTRUCCIONES: para reducir el riesgo de incendio o explosión, descarga eléctrica y lesiones personales, lea y comprenda todas las instrucciones. Familiarícese con la configuración y el funcionamiento antes de utilizar este equipo.

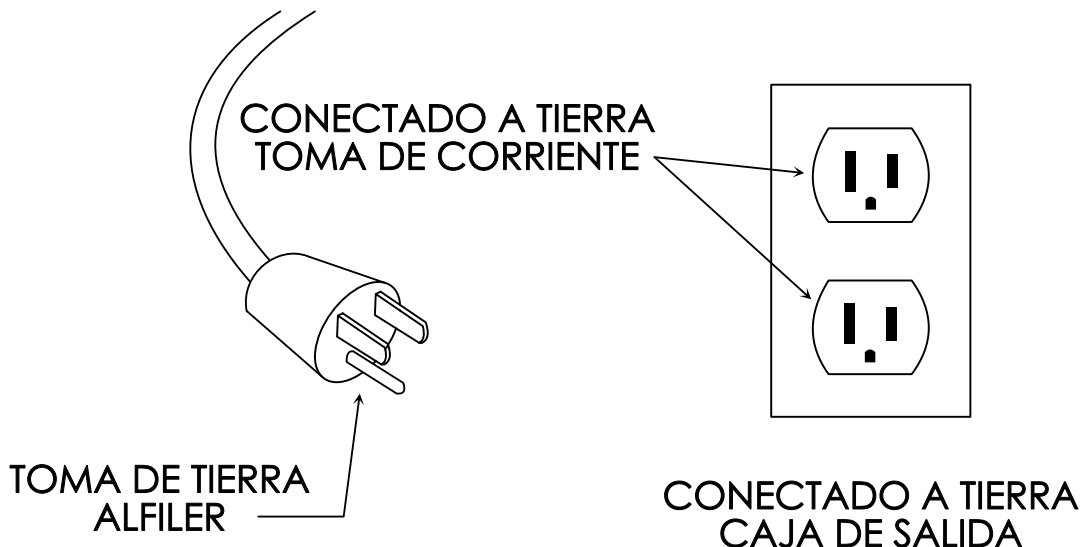
TOMA DE TIERRA

Este producto debe estar conectado a tierra. En caso de un cortocircuito eléctrico, la conexión a tierra reduce el riesgo de descarga eléctrica al proporcionar un cable de escape para la corriente eléctrica. Este producto está equipado con un cable que tiene un hilo de tierra con un enchufe de tierra adecuado. El enchufe debe enchufarse en un tomacorriente que esté correctamente instalado y conectado a tierra de acuerdo con todos los códigos y ordenanzas locales. Asegúrese de que la clavija de conexión a tierra esté intacta en el cable de alimentación del equipo y, si se usa, asegúrese de que la clavija de conexión a tierra del cable de extensión también esté intacta.

ADVERTENCIA: la instalación incorrecta de la clavija de conexión a tierra puede resultar en un riesgo de descarga eléctrica. Cuando sea necesario reparar o reemplazar el cable o el enchufe, no conecte el cable a tierra a ninguno de los terminales principales de hoja plana. El cable con aislamiento verde o verde/amarillo es el cable de conexión a tierra.

Consulte con un electricista o técnico calificado cuando no entienda completamente las instrucciones de conexión a tierra, o cuando tenga dudas sobre si el producto está correctamente conectado a tierra. No modifique el enchufe proporcionado. Si el enchufe no encaja en el tomacorriente, haga que un electricista calificado instale el tomacorriente adecuado.

Los productos que funcionan en un circuito nominal de 110 VCA tienen un enchufe de conexión a tierra similar al que se ilustra a continuación. Conecte el producto únicamente a una toma de corriente que tenga la misma configuración que el enchufe. No utilice un adaptador de 3 a 2 hojas con este producto.



INFORMACION DE SEGURIDAD IMPORTANTE

ADVERTENCIA: para reducir el riesgo de incendio o explosión.

- No rocíe materiales inflamables o combustibles cerca de una llama abierta o una fuente de ignición, como cigarrillos, motores, lonas de plástico y equipos eléctricos.
- No enchufe ni desenchufe el cable de alimentación cuando haya vapores inflamables.
- Si hay una chispa estática o siente una descarga eléctrica, deje de usarlo inmediatamente. No utilice el equipo hasta que identifique y corrija el problema.
- No rocíe ni limpie con materiales con un punto de inflamación inferior a 100 ° F (38 ° C).
- La pintura o el solvente que fluye a través del equipo puede generar electricidad estática. La electricidad estática crea un riesgo de incendio o explosión en presencia de vapores de pintura o solventes. Todas las Partes del sistema de rociado, incluida la bomba, el conjunto de la manguera, la pistola rociadora y los objetos dentro y alrededor del área de rociado, deben estar debidamente conectados a tierra para protegerlos contra Descargas estáticas y chispas. Utilice únicamente mangueras de pulverización de pintura sin aire de alta presión conductoras o conectadas a tierra especificadas por TriTech Industries, Inc.
- Verificar que todos los contenedores y sistemas colectivos estén conectados a tierra para evitar descargas estáticas.
- Conéctelo a un tomacorriente con conexión a tierra y use cables de extensión con conexión a tierra. No utilice un adaptador de 3 a 2.
- No utilice pinturas o disolventes que contengan hidrocarburos halogenados.
- Mantenga el área de aplicación bien ventilada. Mantenga un buen suministro de aire fresco en movimiento a través del área. Mantenga el conjunto de la bomba en un área bien ventilada. No rocíe el conjunto de la bomba.
- No fume en el área de rociado.
- No opere interruptores de luz, motores o productos similares que produzcan chispas en el área de rociado o mientras haya vapores inflamables presentes.
- Mantenga el área limpia y libre de contenedores de pintura o solvente, trapos y otros materiales inflamables.
- El rociador genera chispas. Cuando se utiliza líquido inflamable en o cerca del rociador para enjuagar o limpiar, mantenga el rociador a una distancia mínima de 20 pies (6,1 metros) de los vapores explosivos.
- Conocer el contenido de las pinturas y solventes que se rocían. Lea todas las hojas de datos de seguridad del material (MSDS) y las etiquetas de los contenedores que se proporcionan con la pintura y los solventes. Siga las instrucciones de seguridad del fabricante de la pintura y el solvente.
- El equipo extintor de incendios debe estar presente y funcionando.

INFORMACION DE SEGURIDAD IMPORTANTE

ADVERTENCIA: para reducir el riesgo de inyección en la piel.

El fluido a alta presión de la punta, la pistola, las fugas de la manguera o los componentes rotos perforarán la piel. Esto puede parecer solo un corte, pero es una lesión grave que puede resultar en una amputación. Obtenga tratamiento quirúrgico inmediato.

- No apunte con el arma ni rocíe a ninguna persona o animal
- Mantenga las manos y otras partes del cuerpo alejadas de la descarga. Por ejemplo, no intente detener las fugas con ninguna parte del cuerpo.
- Utilice siempre el protector de la punta de la pistola rociadora. No rocíe sin el protector de la punta de la pistola rociadora en su lugar.
- Utilice únicamente puntas de pistola rociadora de TriTech Industries, Inc.
- Tenga cuidado al limpiar y cambiar las puntas de las pistolas rociadoras. En caso de que la punta de la pistola rociadora se obstruya mientras rocía, siga las instrucciones del fabricante para apagar el equipo y aliviar la presión antes de retirar la punta de la pistola rociadora para limpiarla o reemplazarla.
- No deje la unidad energizada o bajo presión sin supervisión. Cuando la unidad no esté en uso, apáguela y libere la presión de acuerdo con las instrucciones de TriTech Industries, Inc. que se muestran a continuación. ***
- El rociado a alta presión puede inyectar toxinas en el cuerpo y causar lesiones corporales graves. En caso de que se produzca una inyección, busque atención médica de inmediato.
- Revise las mangueras y las piezas en busca de signos de daño. Reemplace cualquier manguera o pieza dañada.
- Este sistema es capaz de producir 3300 psi. Utilice únicamente piezas de repuesto o accesorios especificados por TriTech Industries, Inc. y que tengan una capacidad nominal mínima de 3300 psi.
- Siempre active el seguro del gatillo de la pistola cuando no esté rociando. Verifique que el bloqueo del gatillo de la pistola funcione correctamente.
- Verifique que todas las conexiones estén seguras antes de operar la unidad.
- Sepa cómo detener la unidad y purgar la presión rápidamente. Familiarícese completamente con los controles.

*** PROCEDIMIENTO DE ALIVIO DE PRESIÓN

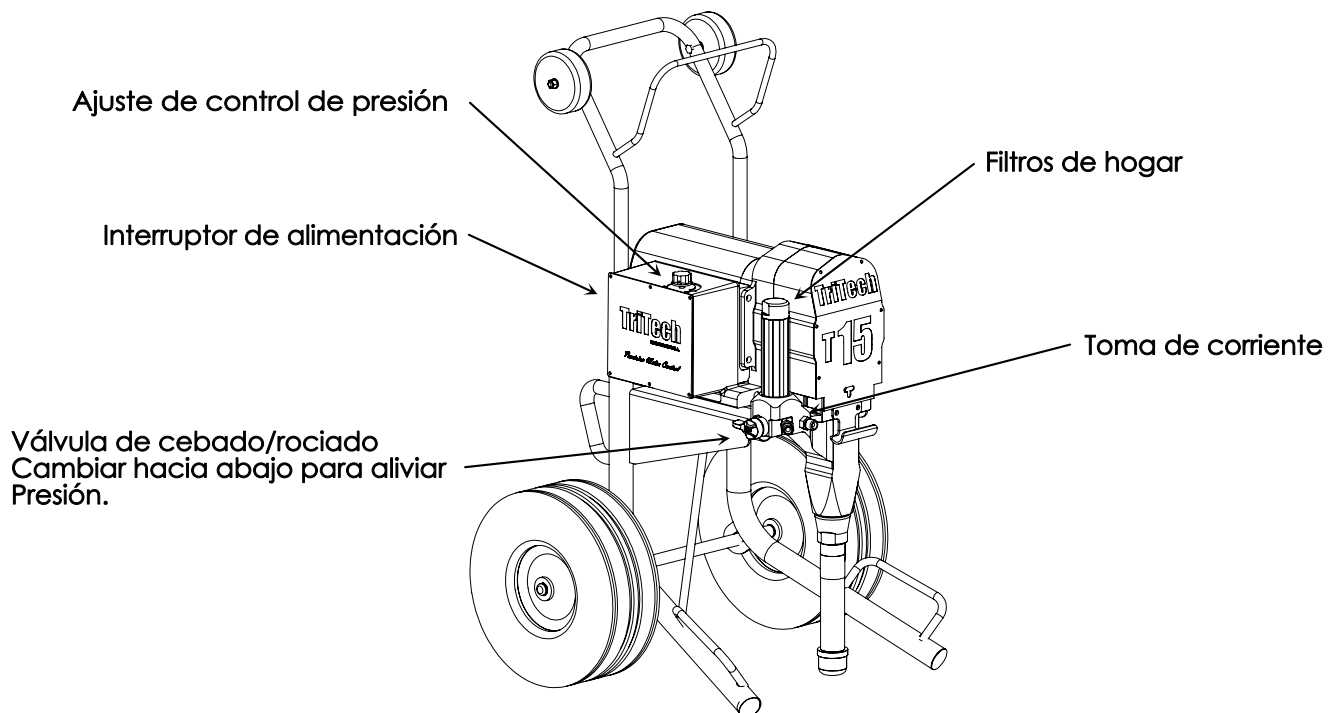
- 1) Gire la perilla de control de presión en sentido antihorario hasta que se detenga.
- 2) Apague el rociador.
- 3) No desconecte el cable de alimentación.
- 4) Coloque la parte metálica de la pistola firmemente contra el recipiente metálico puesto a tierra.
- 5) Coloque un trapo sobre el recipiente para protegerlo contra el retroceso y dispare la pistola para aliviar la presión.
- 6) Active el bloqueo del gatillo.
- 7) Abra la VÁLVULA DE CEBADO/PULVERIZADOR de manera que la manija apunte hacia abajo. Déjelo en esta posición hasta el próximo uso.

NOTA: Si sospecha que la boquilla o la manguera del rociador están completamente obstruidas, o que la presión no se ha liberado por completo después de seguir los pasos anteriores. Afloje LENTAMENTE el protector de boquilla o el acoplamiento del extremo de la manguera para aliviar la presión gradualmente y luego afloje por completo. Limpie la obstrucción de la boquilla o la manguera.

INFORMACION DE SEGURIDAD IMPORTANTE

ADVERTENCIA: peligro de mal uso del equipo

- Revisar el equipo diariamente. Repare o reemplace las piezas desgastadas o dañadas inmediatamente con piezas de repuesto genuinas de TriTech Industries, Inc.
- No altere ni modifique este equipo.
- Use el equipo solo para el propósito previsto. Llame al servicio de atención al cliente de TriTech Industries, Inc. o a su distribuidor de TriTech Industries, Inc. para obtener información.
- Dirija las mangueras, los cables y los cables de extensión lejos de las áreas de mucho tráfico, los bordes afilados, las piezas móviles y las superficies calientes. Si es necesario reemplazar la manguera del rociador, reemplácela únicamente con una manguera idéntica provista con el rociador.
- Cable de extensión, solo del tipo de tres hilos con conexión a tierra.
 - o Utilice únicamente un cable de extensión con enchufe y receptáculo que coincida con el enchufe suministrado en el equipo.
 - o Inspeccione el cable de extensión en busca de daños antes de usarlo, reemplácelo si es necesario
 - o Longitudes de cable de extensión aceptables:
 - ♣ 14 AWG 25 pies máximo
 - ♣ 12 AWG 50 pies máximo
 - ♣ 10 AWG 100 pies máximo
- Baldes: fluidos a base de aceite y solventes: siga los códigos locales;
 - o Utilice únicamente cubos de metal conductor colocados sobre una superficie conectada a tierra.
 - o No coloque baldes sobre superficies no conductoras como papel, cartón o madera que interrumpan la conexión a tierra.
 - o Para mantener la continuidad a tierra al enjuagar o aliviar la presión: sostenga la parte metálica de la pistola rociadora con la punta sin aire extraída firmemente contra el costado del cubo metálico conectado a tierra, luego dispare la pistola.



PUESTA EN MARCHA

1. Conecte la manguera sin aire TriTech al rociador. Apriete firmemente.
2. Conecte el otro extremo de la manguera a la pistola.
3. Apriete firmemente.
4. Retire la protección de la punta.
5. Revise el filtro de entrada en busca de obstrucciones y residuos.
6. Llene el retenedor superior con TriLube para evitar el desgaste prematuro de la empaquetadura. Haga esto cada vez que rocíe.
7. Enchufe el cable de alimentación en un tomacorriente correctamente conectado a tierra.
8. Coloque el juego de tubos de sifón en un recipiente metálico conectado a tierra parcialmente lleno con líquido de lavado. Use alcoholes minerales para enjuagar el aceite de almacenamiento.
9. Gire el control de presión a la presión más baja. Abra la válvula de cebado/rociado de manera que el mango apunte hacia abajo.
10. Encienda la alimentación.
11. Aumente la presión para arrancar el motor y permita que el fluido circule a través del tubo de cebado durante 15 segundos; luego baje la presión.
12. Gire la válvula de cebado/rociado a la posición de rociado o hasta que la manija quede horizontal. Quite el seguro del gatillo de la pistola rociadora.
13. Sostenga la pistola contra el contenedor de metal conectado a tierra. Dispare la pistola y aumente la presión del fluido hasta la mitad. Descarga 1 minuto. Inspeccione en busca de fugas. Si ocurre una fuga, siga el procedimiento de alivio de presión y luego apriete el accesorio donde ocurrió la fuga. ¡No intente detener las fugas con la mano o un trapo! Repita la puesta en marcha 9-13 de nuevo. Si no hay fugas, proceda.
14. Coloque el tubo de sifón en el cubo de pintura.
15. Vuelva a disparar la pistola en el recipiente de metal hasta que aparezca pintura. Mueva la pistola al cubo de pintura y dispare durante 20 segundos. Coloque la seguridad en la posición ON. Monte la punta y el protector. (Ver apartado siguiente).

CONJUNTO DE PUNTA Y PROTECTOR

1. Inserte el sello de metal y el conjunto de sello de “fuelle negro” colocando los sellos en el extremo de la punta del contratista T93R e insértelo a través del protector. Alinee los sellos girando la punta.
2. Inserte la punta
3. Atornille el conjunto a la pistola. Apretar a mano.

PULVERIZACIÓN

1. Patrón de prueba de pulverización. Comience con la presión en su configuración más baja, luego aumente gradualmente la presión hasta que logre un patrón de rociado consistente sin bordes gruesos. Use un tamaño de punta más pequeño si el ajuste de presión no puede eliminar los bordes gruesos.
2. Sostenga la pistola perpendicularmente a 10-12 pulgadas de la superficie frontal. Rocíe de un lado a otro superpuestos en un 30%. Para evitar puntos pesados, comience a mover el arma antes de apretar el gatillo. Al rociar, después de soltar el gatillo, continúe moviendo la pistola.

LIMPIEZA DE LA PUNTA OBSTRUIDA

- a) Suelte el gatillo, ponga el seguro en ON.
- b) Gire la punta T93R para que la flecha apunte hacia atrás.
- c) Quite la seguridad
- d) Dispare la pistola para despejar la obstrucción. ¡Nunca apunte el arma a su mano o a un trapo!

VOLVER A ROCIAR

- a) Active la seguridad.
- b) Regrese la boquilla a la posición de rociado.
- c) Quite el seguro y continúe rociando.

LIMPIAR

1. Apague y desenchufe el rociador.
2. Gire la presión al ajuste más bajo. Dispare la pistola para aliviar la presión.
3. Coloque la manguera de cebado en el balde. Gire la válvula de cebado/rociado de manera que el mango apunte hacia abajo.
4. Retire el protector y la punta T93R. Limpie la punta con un cepillo de cerdas suaves. **NO ALMACENAR EN AGUA.**
5. Retire la manguera de succión de la pintura y colóquela en líquido de lavado. Use agua para la pintura a base de agua y alcoholes minerales para la pintura a base de aceite.
6. Enchufe el rociador. Encienda la alimentación. Gire la válvula de cebado/rociado de modo que el mango quede horizontal.
7. Sostenga la pistola contra el cubo de pintura. Quite el seguro del gatillo. Dispare la pistola y aumente la presión hasta que aparezca líquido de lavado.
8. Mueva la pistola al balde de lavado, sostenga la pistola contra el balde. Dispare la pistola para enjuagar completamente el sistema. Suelte el gatillo y active el seguro del gatillo.
9. Gire la válvula de cebado/rociado de manera que la manija apunte hacia abajo y permita que el líquido de lavado circule durante 1 a 2 minutos para limpiar la manguera de cebado.
10. Levante la manguera de succión justo por encima del líquido de lavado y haga funcionar el rociador durante 15 a 30 segundos para drenar el líquido. Apague la alimentación.
11. Cierre la válvula de cebado/rociado. Dispare la pistola en el balde de lavado para purgar el fluido de la manguera.
12. Abra la válvula de cebado/rociado. Luego cierra. No almacene con la válvula de cebado/rociado abierta.
13. Retire el filtro de la pistola y el rociador, si está instalado. Limpie e inspeccione. Vuelva a instalar los filtros.
14. Si enjuaga con agua, enjuague nuevamente con alcohol mineral o TriTech Pump Cleaner para dejar una capa protectora que evite la congelación o la corrosión.
15. Desenchufe el cable de alimentación del tomacorriente y limpie el rociador, la manguera y la pistola con un trapo empapado en agua o alcohol mineral.

PROCEDIMIENTO DE ALIVIO DE PRESIÓN

La presión del rociador debe aliviarse manualmente para evitar que el rociador arranque o rocíe accidentalmente.

El fluido a alta presión puede inyectarse a través de la piel y causar lesiones graves. Para reducir el riesgo de Lesiones por inyección, salpicaduras de fluido o piezas móviles, siga el Procedimiento de descompresión cada vez que:

- Reciben instrucciones de aliviar la presión
- Deje de rociar
- Necesidad de revisar o dar servicio a cualquier equipo del sistema
- Instale o limpie la punta del rociador

PROCEDIMIENTO DE ALIVIO DE PRESIÓN

PROCEDIMIENTO DE ALIVIO DE PRESIÓN

- 1) Gire la perilla de control de presión en sentido antihorario hasta que se detenga.
- 2) Apague el rociador.
- 3) No desconecte el cable de alimentación.
- 4) Coloque la parte metálica de la pistola firmemente contra el recipiente metálico puesto a tierra.
- 5) Coloque un trapo sobre el recipiente para protegerlo contra el retroceso y dispare la pistola para aliviar la presión.
- 6) Active el bloqueo del gatillo.
- 7) Abra la VÁLVULA DE CEBADO/PULVERIZADOR de manera que la manija apunte hacia abajo. Déjelo en esta posición hasta el próximo uso

NOTA: Si sospecha que la boquilla o la manguera del rociador están completamente obstruidas, o que la presión no se ha liberado por completo después de seguir los pasos anteriores. Afloje LENTAMENTE el protector de boquilla o el acoplamiento del extremo de la manguera para aliviar la presión gradualmente y luego afloje por completo. Limpie la obstrucción de la boquilla o la manguera.

ADVERTENCIA DE DESCARGA ELÉCTRICA

Para reducir el riesgo de lesiones graves, incluidas las descargas eléctricas, no toque las piezas móviles o eléctricas con los dedos o herramientas mientras prueba la reparación. Apague y desenchufe el rociador cuando se complete la inspección. Instale todas las cubiertas, protecciones, empaques, tornillos y arandelas antes de operar el rociador.

PROBLEMA	QUE VERIFICAR	REMEDIO
EL MOTOR NO ENCIENDE	<ol style="list-style-type: none"> 1 - La unidad no está enchufada. 2 - La presión está configurada demasiado baja. 3 - El disyuntor está abierto. 	<ol style="list-style-type: none"> 1 - Enchufe la unidad. 2 - Aumentar la presión. 3 - Verifique el disyuntor y reinícielo si es necesario.
LA UNIDAD NO CEBARA	<ol style="list-style-type: none"> 1 - La manguera de succión está suelta. 2 - El filtro de succión está obstruido. 3 - La bola de entrada está atascada. 4 - La bola de salida está atascada. 	<ol style="list-style-type: none"> 1 - Verifique las juntas tóricas y apriete la manguera de succión. 2 - Limpiar o sustituir el filtro de aspiración 3 - Retire la manguera de succión y mueva la bola de entrada con la punta de un lápiz. 4 - Retire la manguera de aspiración y la válvula de entrada. Mueva la bola de salida con el extremo borrador de un lápiz.
LA BOMBA AUMENTA PRESIÓN PERO NO SE APAGA	<ol style="list-style-type: none"> 1 - La bola de entrada o el asiento están obstruidos o astillados. 2 - La bola de salida o el asiento son obstruido o astillado. 3 - La válvula de cebado tiene fugas. 	<ol style="list-style-type: none"> 1 - Limpie o reemplace si es necesario. 2 - Limpie o reemplace si es necesario. 3 - Reemplace la válvula de cebado si el recubrimiento se filtra mientras está bajo presión.
PINTURA FUGA DE COPA HÚMEDA	<ol style="list-style-type: none"> 1 - Inspeccione el empaque superior. 	<ol style="list-style-type: none"> 1 - Reemplace el empaque superior si es necesario.
LA SALIDA DE LA BOMBA ES BAJA	<ol style="list-style-type: none"> 1 - La boquilla de pulverización podría estar desgastada. 2 - Las bolas de entrada o salida están desgastadas. 3 - La válvula de cebado está desgastada. 	<ol style="list-style-type: none"> 1 - Inspeccione la punta comprobando el ancho del abanico. Si está desgastado, reemplácelo. 2 - Inspeccione las bolas de entrada y salida en busca de daños. Reemplácelo si está desgastado. 3 - Si la válvula de cebado tiene fugas durante la pulverización, limpie o reemplace si está desgastada.

NOTA: Antes de realizar una inspección o reparación, asegúrese de seguir las instrucciones de alivio de presión. Procedimiento. Nunca intente realizar ningún servicio mientras la unidad esté enchufada o bajo presión.

BELANGRIJKE VEILIGHEIDSINFORMATIE

BEWAAR DEZE INSTRUCTIES - Om het risico op brand of explosie, elektrische schokken en persoonlijk letsel te verminderen, dient u alle instructies te lezen en te begrijpen. Zorg dat u vertrouwd bent met de installatie en bediening voordat u deze apparatuur gebruikt.

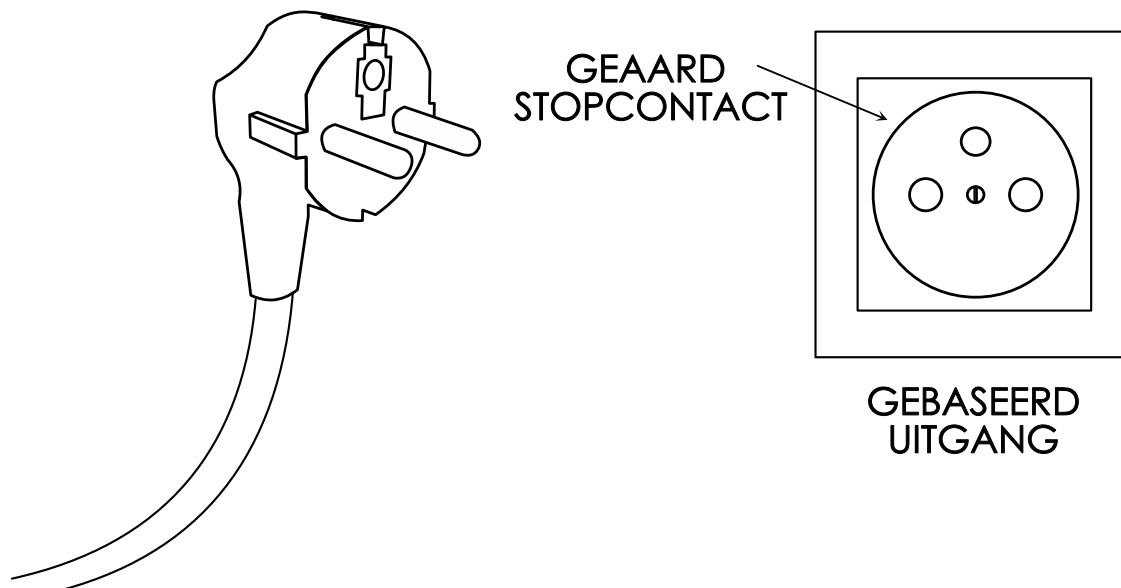
AARDING

Dit product moet geaard zijn. In het geval van elektrische kortsluiting vermindert aarding het risico op elektrische schokken door een ontsnappingsdraad te bieden voor de elektrische stroom. Dit product is uitgerust met een snoer met een aardingsdraad met een geschikte aardingsstekker. De stekker moet in een stopcontact worden gestoken dat correct is geïnstalleerd en geaard in overeenstemming met alle lokale codes en verordeningen. Zorg ervoor dat de aardingspen van het netsnoer van de apparatuur intact is, en indien gebruikt, zorg er dan voor dat de aardingspen van het verlengsnoer ook intact is.

WAARSCHUWING - Onjuiste installatie van de aardingspen kan leiden tot een risico op een elektrische schok. Wanneer reparatie of vervanging van het snoer of de stekker nodig is, mag u de aardingsdraad niet aansluiten op de platte hoofdaansluitingen. De draad met de groene of groen/gele isolatie is de aarddraad.

Neem contact op met een gekwalificeerde elektricien of onderhoudsmonteur als u de aardingsinstructies niet volledig begrijpt of als u twijfelt of het product goed is geaard. Pas de meegeleverde stekker niet aan. Als de stekker niet in het stopcontact past, laat dan het juiste stopcontact installeren door een gekwalificeerde elektricien.

Producten die werken op een circuit van nominaal 110 VAC hebben een geaarde stekker zoals hieronder afgebeeld. Sluit het product alleen aan op een stopcontact met dezelfde configuratie als de stekker. Gebruik geen adapter met 3 naar 2 mesjes bij dit product.



BELANGRIJKE VEILIGHEIDSINFORMATIE

WAARSCHUWING – Om het risico op brand of explosie te verminderen.

- Spuit geen ontvlambaar of brandbaar materiaal in de buurt van open vuur of ontstekingsbronnen zoals sigaretten, motoren, plastic handdoeken en elektrische apparatuur.
- Steek het netsnoer niet in of uit het stopcontact als er ontvlambare dampen aanwezig zijn.
- Als er een statische vonk is of als u een schok voelt, stop dan onmiddellijk met het gebruik. Gebruik de apparatuur niet totdat u het probleem hebt vastgesteld en verholpen.
- Spuit of reinig geen materialen met een vlampunt lager dan 100° F (38° C).
- Verf of oplosmiddel dat door de apparatuur stroomt, kan statische elektriciteit veroorzaken. Statische elektriciteit veroorzaakt brand- of explosiegevaar in de aanwezigheid van verf- of oplosmiddeldampen. Alle onderdelen van het spuitsysteem, inclusief de pomp, de slang, het spuitpistool en objecten in en rond het spuitgebied, moeten goed zijn geaard ter bescherming tegen statische ontlading en vonken. Gebruik alleen geleidende of geaarde hogedruk airless verfspuitlangen gespecificeerd door TriTech Industries, Inc.
- Controleer of alle containers en verzamelssystemen geaard zijn om statische ontlading te voorkomen.
- Sluit aan op een geaard stopcontact en gebruik geaarde verlengsnoeren. Gebruik geen 3 naar 2 adapter.
- Gebruik geen verf of een oplosmiddel dat gehalogeneerde koolwaterstoffen bevat.
- Houd de spuitplaats goed geventileerd. Zorg voor een goede toevoer van frisse lucht door het gebied. Bewaar de pompconstructie in een goed geventileerde ruimte. Spuit de pomp niet in.
- Rook niet in de spuitruimte.
- Gebruik geen lichtsakelaars, motoren of vergelijkbare producten die vonken produceren in het spuitgebied of terwijl er ontvlambare dampen aanwezig zijn.
- Houd het gebied schoon en vrij van verf- of oplosmiddelcontainers, voden en andere brandbare materialen.
- Sproeier genereert vonken. Wanneer ontvlambare vloeistof wordt gebruikt in of in de buurt van het spuitapparaat voor spoelen of reinigen, houd het spuitapparaat dan minstens 6,1 meter verwijderd van explosieve dampen.
- Ken de inhoud van de verven en oplosmiddelen die worden gespoten. Lees alle veiligheidsinformatiebladen (MSDS) en containerlabels die bij de verf en oplosmiddelen zijn geleverd. Volg de veiligheidsinstructies van De fabrikant van verf en oplosmiddel.
- Brandblusapparatuur moet aanwezig en werkend zijn.

BELANGRIJKE VEILIGHEIDSINFORMATIE

WAARSCHUWING – Om het risico op huidinjectie te verminderen.

Vloeistof onder hoge druk uit tip, pistool, lekkende slangen of gescheurde onderdelen dringen door de huid. Dit lijkt misschien gewoon een snee, maar het is een ernstig letsel dat kan leiden tot amputatie. Krijg onmiddellijk een chirurgische behandeling.

- Richt het pistool niet op personen of dieren en spuit er niet mee
- Houd handen en andere lichaamsdelen uit de buurt van de afvoer. Probeer bijvoorbeeld niet met welk lichaamsdeel dan ook lekken te dichten.
- Gebruik altijd de tipbeschermer van het spuitpistool. Niet spuiten zonder de tipbeschermer van het spuitpistool op zijn plaats.
- Gebruik alleen tips voor spuitpistolen van TriTech Industries, Inc.
- Wees voorzichtig bij het reinigen en vervangen van spuitpistoolpunten. In het geval dat de punt van het spuitpistool verstopt raakt tijdens het spuiten, volgt u de instructies van de fabrikant voor het uitschakelen van de apparatuur en het ontlasten van de druk voordat u de punt van het spuitpistool verwijdert om deze schoon te maken of te vervangen.
- Laat het apparaat niet onbeheerd achter onder spanning of onder druk. Wanneer het apparaat niet in gebruik is, schakelt u het uit en ontlast u de druk in overeenstemming met de onderstaande instructies van TriTech Industries, Inc. ***
- Hogedrukspray kan gifstoffen in het lichaam injecteren en ernstig lichamelijk letsel veroorzaken. In het geval dat injectie optreedt, dient u onmiddellijk medische hulp in te roepen.
- Controleer slangen en onderdelen op beschadigingen. Vervang beschadigde slangen of onderdelen.
- Dit systeem kan 3300 psi produceren. Gebruik alleen vervangende onderdelen of accessoires die zijn gespecificeerd door TriTech Industries, Inc. en die zijn geclassificeerd voor minimaal 3300 psi.
- Schakel altijd de trekkervergrendeling in als u niet aan het spuiten bent. Controleer of de trekkervergrendeling van het pistool goed werkt.
- Controleer of alle aansluitingen goed vastzitten voordat u het apparaat gebruikt.
- Weet hoe u het apparaat kunt stoppen en snel de druk kunt laten ontsnappen. Zorg dat u goed bekend bent met de bedieningselementen.

*** DRUKONTLASTINGSPROCEDURE

- 1) Draai de drukregelknop tegen de klok in tot hij niet verder kan.
- 2) Zet de veldspuit UIT.
- 3) Haal de stekker niet uit het stopcontact.
- 4) Plaats het metalen deel van het pistool stevig tegen de gearde metalen container.
- 5) Plaats een doek over de container om te beschermen tegen terugslag en haal de trekker over om de druk te ontlasten.
- 6) Activeer de trekkervergrendeling.
- 7) Open de PRIME / SPUITKLEP zodat de hendel naar beneden wijst. Laat het in deze positie tot het volgende gebruik.

WAARSCHUWING – Om het risico op letsel te verkleinen.

- Draag bij het schilderen altijd geschikte handschoenen, oogbescherming, gehoorbescherming en een gasmasker of masker.
- Niet bedienen of spuiten in de buurt van kinderen. Houd kinderen te allen tijde uit de buurt van apparatuur.
- Reik niet te ver en sta niet op een onstabiele ondergrond. Blijf altijd stevig staan en balanceer.
- Blijf alert en let op wat u doet.
- Gebruik het apparaat niet als u vermoeid bent of onder invloed bent van drugs of alcohol.
- De slang niet knikken of buigen.
- Stel de slang niet bloot aan een hogere temperatuur of druk dan door de fabrikant is opgegeven.
- Gebruik de slang niet als krachtbron om de apparatuur te trekken of op te tillen.
- Om het risico op elektrische schokken te verminderen, niet blootstellen aan regen. Binnen bewaren.
- Schakel het apparaat uit en trek de stekker uit het stopcontact voordat u onderhoud pleegt aan de apparatuur.

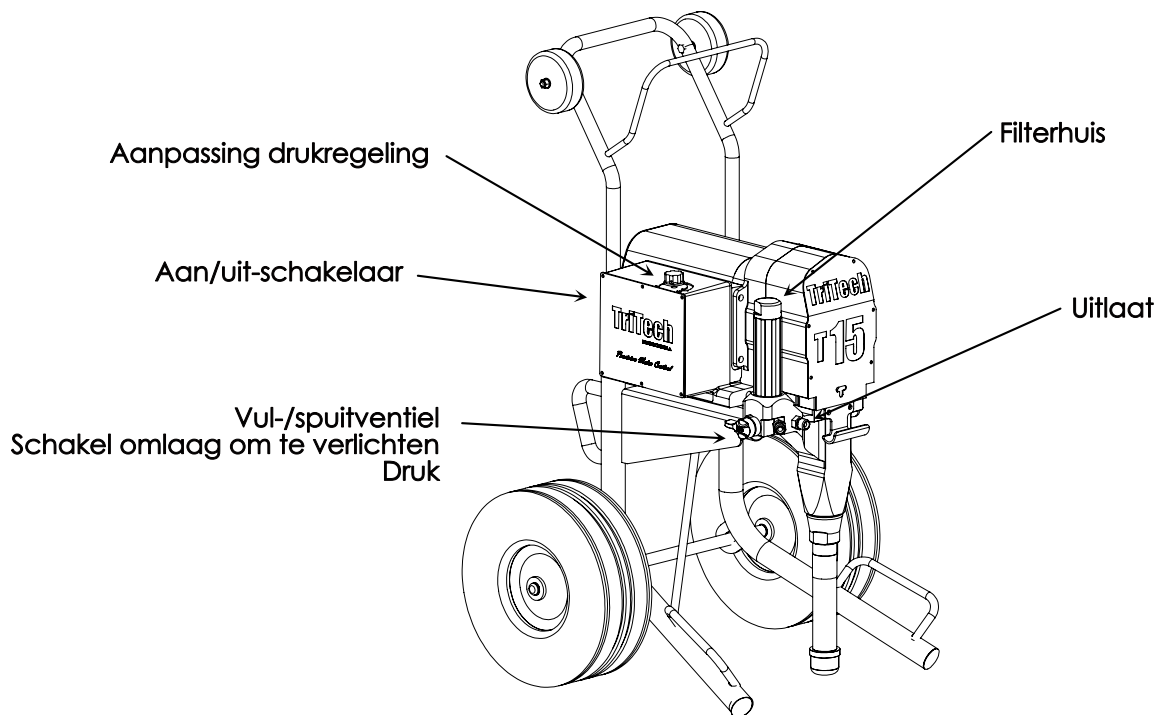
WAARSCHUWING – Om het risico op letsel te verminderen, vormen onder druk staande aluminium onderdelen gevaar.

- Gebruik geen 1, 1,1-trichloorethaan, methyleenchloride, gehalogeneerde koolwaterstoffen (een oplosmiddel dat fluor, broom, chloor of jodium bevat) en voorbeelden van die materialen, zoals methylbroom, tetrachloorkoolstof en ethyljodide.

BELANGRIJKE VEILIGHEIDSINFORMATIE

WAARSCHUWING – Gevaar voor verkeerd gebruik van apparatuur

- Controleer apparatuur dagelijks. Repareer of vervang versleten of beschadigde onderdelen onmiddellijk met originele vervangende onderdelen van TriTech Industries, Inc.
- Verander of wijzig deze apparatuur niet.
- Gebruik apparatuur alleen voor het beoogde doel. Bel de klantenservice van TriTech Industries, Inc. of uw distributeur van TriTech Industries, Inc. voor informatie.
- Leid slangen, snoeren en verlengsnoeren uit de buurt van gebieden met veel verkeer, scherpe randen, bewegende onderdelen en hete oppervlakken. Als de sproeislang moet worden vervangen, vervang deze dan alleen door een identieke slang die bij de sproeier wordt geleverd.
- Verlengsnoer, alleen geaard type met drie draden.
 - o Gebruik alleen een verlengsnoer met een stekker en een stopcontact dat overeenkomt met de stekker die op de apparatuur is geleverd.
 - o Inspecteer het verlengsnoer voor gebruik op beschadigingen, vervang indien nodig
 - o Aanvaardbare lengtes van verlengsnoeren:
 - ♣ 14 AWG 25 voet maximaal
 - ♣ 12 AWG 50 voet maximaal
 - ♣ 10 AWG 100 voet maximaal
- Emmers – Vloeistoffen op basis van oplosmiddelen en olie: volg de plaatselijke voorschriften;
 - o Gebruik alleen geleidende metalen emmers die op een geaard oppervlak staan.
 - o Plaats geen emmers op niet-geleidende oppervlakken zoals papier, karton of hout die de grond onderbreken.
 - o Om de continuïteit van de aarde te behouden tijdens het spoelen of het ontlasten van de druk: houd het metalen deel van het spuitpistool met de airless-tip verwijderd stevig tegen de zijkant van de geaarde Metalen emmer en haal vervolgens de trekker over.



BEGINNEN

1. Sluit de TriTech airless slang aan op het spuitapparaat. Draai stevig vast.
2. Sluit het andere uiteinde van de slang aan op het pistool.
3. Draai stevig vast.
4. Verwijder de tipbeschermer.
5. Controleer de inlaatzeef op verstoppingen en vuil.
6. Vul de bovenste houder met TriLube om voortijdige slijtage van de pakking te voorkomen. Doe dit elke keer dat u spuit.
7. Steek het netsnoer in een goed geaard stopcontact.
8. Plaats de sifonslangenset in een geaarde metalen bak die gedeeltelijk gevuld is met spoelvloeistof. Gebruik terpentine om opslagolie door te spoelen.
9. Zet de drukregelaar op de laagste druk. Open het vul-/spuitventiel zodat de hendel naar beneden wijst.
10. Schakel de stroom in.
11. Verhoog de druk om de motor te starten en laat de vloeistof gedurende 15 seconden door de vulbuis circuleren; draai dan de druk naar beneden.
12. Draai het vul-/spuitventiel in de spuitstand of zodat de hendel horizontaal staat. Zet de trekker van het spuitpistool UIT.
13. Houd het pistool tegen een geaarde metalen container. Haal de trekker van het pistool over en verhoog de materiaaldruk tot halverwege. Spoel 1 minuut. Inspecteer op lekken. Als er een lek optreedt, volg dan de drukontlastingsprocedure en draai vervolgens de fitting vast waar het lek zich voordeed. Probeer lekken niet met de hand of met een doek te dichten! Herhaal Opstarten 9-13 opnieuw. Ga verder als er geen lekken zijn.
14. Sifonbuis in verfemmer plaatsen.
15. Haal de trekker van het pistool opnieuw over de metalen container totdat er verf verschijnt. Verplaats het pistool naar de verfemmer en druk gedurende 20 seconden op de trekker. Zet de veiligheid op AAN. Monteer de tip en de beschermer. (Zie volgende sectie).

TIP EN BESCHERMING MONTAGE

1. Plaats de metalen afdichting en de "zwarte balg"-afdichting door afdichtingen op het uiteinde van de tip van de T93R-aannemer te plaatsen en door de beschermkap te steken. Lijn de afdichtingen uit Door de punt te draaien.
2. Plaats de punt
3. Schroef het geheel op het pistool. Handvast aandraaien.

SPUITEN

1. Sproeitestpatroon. Begin met druk op de laagste stand en verhoog vervolgens geleidelijk de druk totdat u een consistent spuitpatroon zonder zware randen bereikt. Gebruik een kleinere maat tip als De drukaanpassing de zware randen niet kan elimineren.
2. Houd het pistool loodrecht op 10-12 inch van het vooroppervlak. Spray heen en weer overlappend met 30%. Om zware plekken te voorkomen, begint u het pistool te bewegen voordat u de trekker overhaalt. Blijf tijdens het spuiten het pistool bewegen nadat u de trekker hebt losgelaten.

ELEKTRISCHE SCHOK WAARSCHUWING:

Om het risico op ernstig letsel, inclusief elektrische schokken te verminderen, mag u geen bewegende of elektrische onderdelen aanraken met uw vingers of gereedschap tijdens het testen van reparatie. Schakel het spuitapparaat uit en haal de stekker uit het stopcontact wanneer de inspectie is voltooid. Installeer alle afdekkingen, beschermingen, pakkingen, schroeven en ringen voordat u het spuitapparaat gebruikt.

PROBLEEM	WAT TE CONTROLEREN?	REMEDIE
MOTOR WORDT NIET INGESCHAKELD	<ol style="list-style-type: none">1 - Apparaat is niet aangesloten.2 - De druk is te laag ingesteld.3 - De stroomonderbreker is open.	<ol style="list-style-type: none">1 - Steek de stekker in het stopcontact.2 - Verhoog de druk.3 - Controleer de stroomonderbreker en reset indien nodig.
EENHEID ZAL NIET PRIME	<ol style="list-style-type: none">1 - Zuigslang zit los.2 - Zuigfilter is verstopt.3 - Inlaatkogel zit vast.4 - Uitlaatkogel zit vast.	<ol style="list-style-type: none">1 - Controleer de O-ringen en draai de zuigslang vast.2 - Reinig of vervang het aanzuigfilter3 - Verwijder de zuigslang en verplaats de inlaatkogel met het gumuiteinde van een potlood.4 - Verwijder de zuigslang en de inlaatklep. Verplaats de uitlaatbal met het gumuiteinde van een potlood.
POMP BOUWT DRUK OP MAAR SLUIT NIET UIT!	<ol style="list-style-type: none">1 - De inlaatkogel of zitting is verstopt of gechipt.2 - Uitlaatkogel of zitting zijn belemmerd of afgebroken.3 - Vulklep lekt.	<ol style="list-style-type: none">1 - Reinig of vervang indien nodig.2 - Reinig of vervang indien nodig.3 - Vervang de vulklep als de coating onder druk lekt.
VERF LEKT UIT NATTE KOP	<ol style="list-style-type: none">1 - Inspecteer de bovenste pakking.	<ol style="list-style-type: none">1 - Vervang de bovenste pakking indien nodig.
POMPUITGANG IS LAAG	<ol style="list-style-type: none">1 - De spuittip kan versleten zijn.2 - De inlaat- of uitlaatkogels zijn versleten.3 - Vulklep is versleten.	<ol style="list-style-type: none">1 - Inspecteer de punt door de breedte van het waaierspatroon te controleren. Indien versleten, vervang.2 - Inspecteer de in- en uitlaatkogels op beschadigingen. Vervang indien versleten.3 - Als de vulklep lekt tijdens het spuiten, reinigen of vervangen is versleten.

OPMERKING: Zorg ervoor dat u de drukontlasting volgt voordat u deze uitvoert en inspecteert of repareert Procedure. Probeer nooit enig onderhoud uit te voeren terwijl het apparaat is aangesloten op het stopcontact of onder druk staat.



EC - DECLARATION OF CONFORMITY

Models T15, T15TX

Part Number

602-934, 602-944, 602-951, 602-953, 602-955, 602-964, 602-674, 602-981, 602-983
602-985, 602-987, 602-989

Complies with the EC Directives:

2006/42/EC Machinery Directive

Standards Used:

ISO 1200, ISO 3744

Approved by:

Rollan Henderson

National Sales Manager

Manufactured by:

June 1, 2023

TriTech Industries, Inc.

610 Rahway Avenue

Union, NJ 07083 U.S.A.



EC - DECLARATION OF CONFORMITY

Models T360, T380, T420, T720, T750, T370IL, T400TX

Part Number

500-150, 500-151, 500-152, 500-153, 500-150-GTH, 500-152-GTH

501-150, 501-155, 501-251, 501-255, 501-150-GTH, 501-155-GTH

503-150, 503-151, 503-152, 503-153, 503-150-GTH, 503-152-GTH

506-150, 506-151, 506-152, 506-153

507-150, 507-151, 507-152, 507-153, 503-400

Complies with the EC Directives: 2006/42/EC Machinery Directive

Standards Used: ISO 1200, ISO 3744

Approved by:

Rollan Henderson

National Sales Manager

Manufactured by: April 12, 2023

TriTech Industries, Inc.

610 Rahway Avenue

Union, NJ 07083 U.S.A.



WEEE Compliance

Statement

The mark shown to the right is in compliance with the Waste Electrical and Electronic Equipment Directive 2002/96/EC (WEEE). The mark indicates the requirement NOT to dispose of the equipment as unsorted municipal waste, but use the return and collection systems according to local law. Users should contact their supplier and check the terms and conditions of the purchase contract. When purchased directly from TriTech Industries, or a TriTech Industries Distributor you may contact technical support for disposal arrangements.

RoHS Compliance Statement

TriTech Industries products are designed to meet Reduction of Hazardous Substance Directive 2011/65/EU 8June2011, the product manufactured by TriTech Industries do not contain materials that exceed thresholds for cadmium, mercury, hexavalent chromium, Polybrominated diphenyl ethers (PBDEs) or other regulated substances.

Safety Compliance Statement

TriTech Industries product are certified meeting UL 1450 Issued: 2010/05/05 Ed: 4 Rev: 2013/11/01 Motor-Operated Air Compressors, Vacuum Pumps, & Painting Equipment and CSA C22.2#68 Issued: 2009/09/01 Ed: 7 Motor-Operated Appliances (Household and Commercial)-General Instruction No 1 : 2010/02/01 - General Instruction No. 2: 2010/09/28. TriTech Industries products are designed to conform to EN 55014-1 *Issue: 2006/12/01 Electromagnetic compatibility Requirements for electric tools and similar apparatus*, EN 55014-2 *Issued: 2001/12/01 EMC- Requirements for Electric Tools and Similar Apparatus*, and European Union Low Voltage Directive (LVD) 2006/95/EC

EXTENSION CORD VOLTAGE DROP				
120V	15 AMP	100'	200'	300'
14 AWG		110.6	101.2	91.8
12 AWG		114.1	108.1	102.2
10 AWG		116.3	112.5	108.8
LINE LOSS 1/4" HOSE STANDARD LATEX PAINT				
HORIZONTAL	AT PUMP		AT TIP	
50'	3300PSI	227 BAR	3150	217 BAR
100'	3300PSI	227 BAR	3100	213 BAR
150'	3300PSI	227 BAR	3050	210 BAR
200'	3300PSI	227 BAR	3000	207 BAR
250'	3300PSI	227 BAR	2950	203 BAR
300'	3300PSI	227 BAR	2900	199 BAR
VERTICAL				
50'	3200	220 BAR	3135	216 BAR
100'	3200	220 BAR	3070	211 BAR
150'	3200	220 BAR	3005	209 BAR
200'	3200	220 BAR	2940	202 BAR
250'	3200	220 BAR	2875	198 BAR
300'	3200	220 BAR	2810	193 BAR

PRESSURE RELIEF PROCEDURE

!! IMPORTANT !!

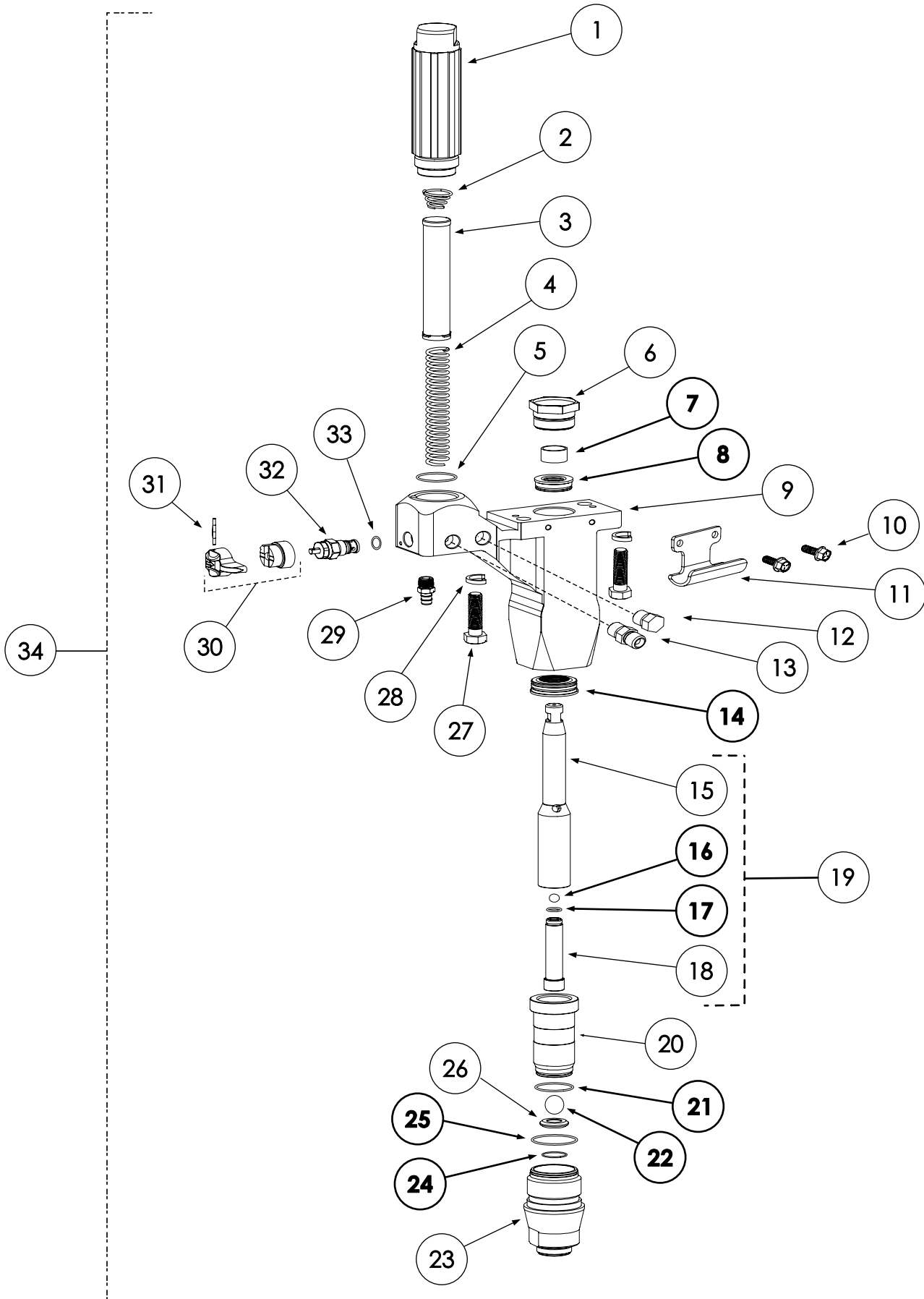
The sprayer's pressure must be manually relieved to prevent sprayer from starting or spraying fluid accidentally. Fluid under high pressure can be injected through skin and cause serious injury. To reduce risk of injury from injection, splashing fluid, or moving parts, please use the following **Pressure Relief Procedure** whenever you:

- Are instructed to relieve pressure
- Stop spraying
- Have to check or service your equipment
- Are installing or cleaning the spray tip

PRESSURE RELIEF PROCEDURE

1. Turn the pressure control knob all the way to the left to stop the unit from pumping.
2. Turn the On/Off switch to the **OFF** position.
3. Unplug the power cord from the wall.
4. Hold the metal part of the gun firmly to a grounded metal container, cover the container and gun with a rag to protect from any blow-back and trigger the gun to relieve the pressure.
5. Engage the trigger lock.
6. Open the prime/spray valve (The valve is in prime or open position when the handle is pointing down) and leave it open until you are ready to spray again.

DIAGRAM A **FLUID MANIFOLD <<< T15 >>>**



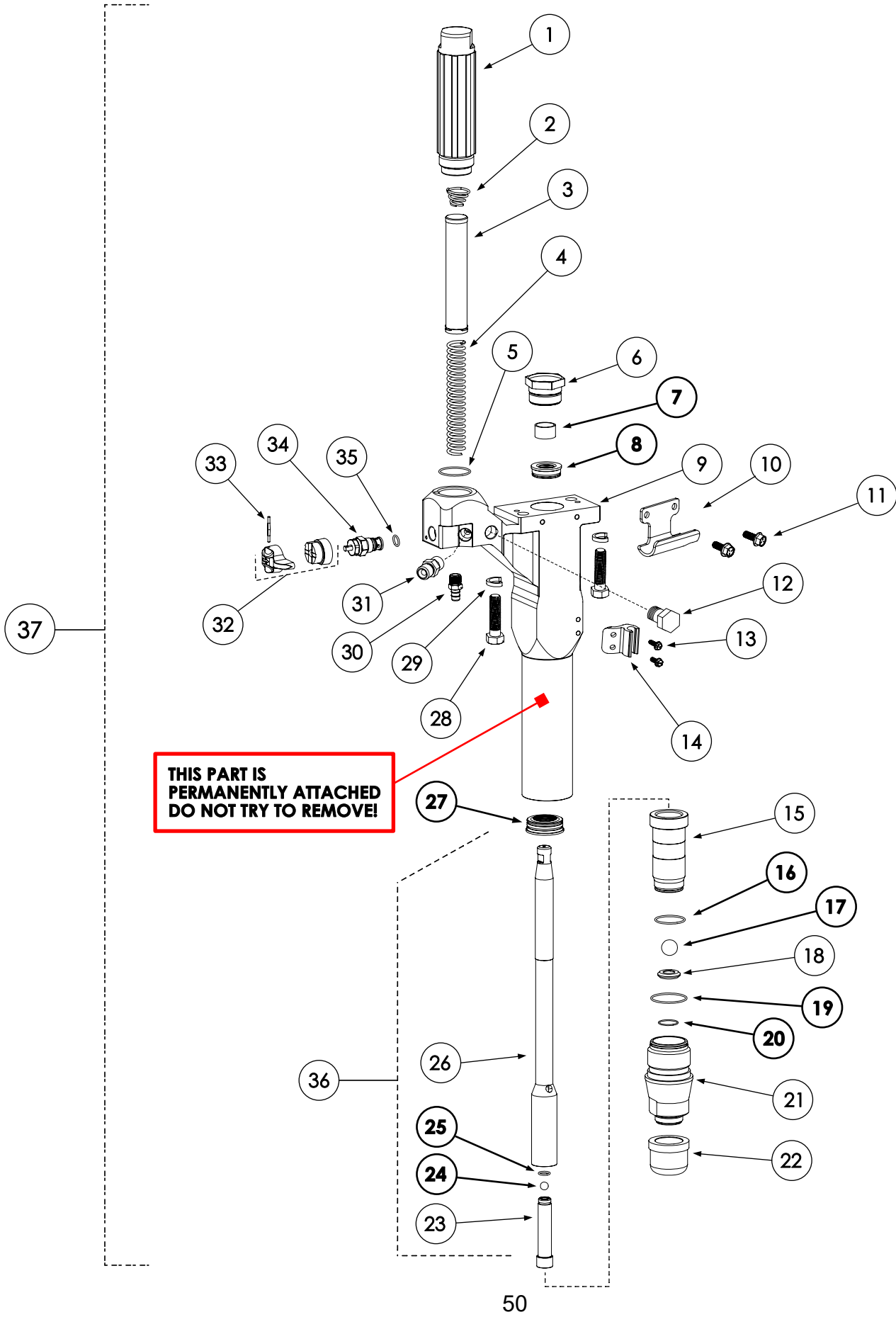
NOTE: Items in bold are included in 602-688 packing kit

T15 FLUID MANIFOLD PARTS LIST

ITEM #	PART #	DESCRIPTION	QTY
1	602-178	FILTER HOUSING	1
2	600-255	FILTER SPRING	1
3	600-141-02	MANIFOLD FILTER, 20 MESH	1
4	600-240	FILTER CORE	1
5	600-353	O-RING	1
6	602-244	UPPER RETAINER	1
7	602-485	UPPER GUIDE	1
8	602-277	UPPER PACKING	1
9	602-583	PUMP HOUSING	1
10	600-541	SCREW	1
11	600-320	PAIL HOOK	1
12	120-238	PLUG	1
13	120-227	NIPPLE	1
14	602-278	LOWER PACKING	1
15	602-532	PISTON ROD	1
16	602-047	UPPER BALL	1
17	101-504	O-RING	1
18	602-442	PISTON VALVE	1
19	602-192	PISTON ROD COMPLETE (Includes 15 - 18)	1
20	602-587-750	GUIDE, BALL / PISTON	1
21	600-561	O-RING	1
22	602-422	LOWER BALL	1
23	602-573	INTAKE VALVE HOUSING	1
24	600-406	O-RING	1
25	602-670	O-RING	1
26	602-221-750	INTAKE VALVE SEAT	1
27	602-025	HEX BOLT	2
28	602-023	LOCK WASHER	2
29	602-236	FITTING, HOSE BARBED	1
30	600-437	HANDLE & CAM KIT (Includes 31)	1
31	600-214	PIN	1
32	600-157	PRIME / SPRAY VALVE (includes 33)	1
33	600-166	O-RING	2
34	602-680	PUMP COMPLETE	1
	602-688	PACKING KIT includes the following items: (7,8,14,16,17,21,22,24,25)	

OPTIONAL MANIFOLD FILTERS	
600-141-05	MANIFOLD FILTER, 50 MESH
600-141-10	MANIFOLD FILTER, 100 MESH

FLUID MANIFOLD <<< T15TX >>>



NOTE: Items in bold are included in 602-688 packing kit

T15TX FLUID MANIFOLD PARTS LIST

ITEM #	PART #	DESCRIPTION	QTY
1	602-178	FILTER HOUSING	1
2	600-255	FILTER SPRING	1
3	600-141-02	MANIFOLD FILTER, 20 MESH	1
4	600-240	FILTER CORE	1
5	600-353	O-RING	1
6	602-244	UPPER RETAINER	1
7	602-485	UPPER GUIDE	1
8	602-277	UPPER PACKING	1
9	602-610	PUMP HOUSING	1
10	600-320	PAIL HOOK	1
11	600-541	SCREW	1
12	120-238	PLUG	1
13	599-459	SCREW	2
14	600-471-TX	CLIP	1
15	602-587-750	GUIDE, BALL / PISTON	1
16	600-561	O-RING	1
17	602-422	LOWER BALL	1
18	602-221-750	INTAKE VALVE SEAT	1
19	602-670	O-RING	1
20	600-406	O-RING	1
21	602-573	INTAKE VALVE HOUSING	1
22	600-085-10	SUCTION FILTER, 10 MESH	1
23	602-442	PISTON VALVE	1
24	602-047	UPPER BALL	1
25	101-504	O-RING	1
26	602-432	PISTON ROD	1
27	602-278	LOWER PACKING	1
28	602-025	HEX BOLT	2
29	602-023	LOCK WASHER	2
30	602-236	FITTING, HOSE BARBED	1
31	120-227	NIPPLE	1
32	600-437	HANDLE & CAM KIT (Includes 33)	1
33	600-214	PIN	1
34	600-157	PRIME / SPRAY VALVE	1
35	600-166	O-RING	1
36	602-194	PISTON ROD COMPLETE (Includes 23,24,25,26)	1
37	602-685	PUMP COMPLETE	1
	602-688	PACKING KIT includes the following items: (7,8,16,17,19,20,24,25,27)	
OPTIONAL MANIFOLD FILTERS			
	600-141-05	MANIFOLD FILTER, 50 MESH	
	600-141-10	MANIFOLD FILTER, 100 MESH	

(T15) FLUID MANIFOLD SERVICE AND REPAIR

REPACKING FLUID MANIFOLD

IMPORTANT! FOLLOW THE PRESSURE RELIEF PROCEDURE AS STATED ON PAGE 47

IMPORTANT! UNPLUG THE UNIT.

1. Remove the suction set by unthreading the nut (#1) in Diagram H. Then pull the elbow straight down out of the inlet valve housing (#23) in Diagram A. If you have a Hi Cart, unthread the suction tube #5 on Diagram F.
2. Remove the filter housing (#1), the Filter (#3) and the filter core (#4) in Diagram A.
3. Remove the intake valve housing (#23) in Diagram A.
4. Remove the piston guide (#20) in Diagram A, by inserting a flat head screw driver into the gap between the piston guide and the intake valve housing. Gently twist the screw driver until the piston guide pops up and is free from the intake valve housing.
5. Empty the contents of the intake valve housing (lower ball & intake valve seat) Carefully inspect the lower ball (#22) and the intake valve seat (#26) for any chips or cracks and replace if worn. The seat is two-sided and can be flipped over if one side is damaged. If you are repacking the unit, you must always replace the lower ball (#22) and the gaskets (#25) and (#24) in Diagram A.
6. Insert a 15/16" hex key into the piston valve (#18) in Diagram A, and turn counter clockwise to remove. When you remove the piston valve, there will be an upper ball (#16) and an o-ring (#17) that will come out with it. Carefully inspect the upper ball and the carbide seat in the top of the piston valve for any cracks or chips and replace if worn. If you are repacking the unit, always replace the upper ball (#16) and the o-ring (#17) in Diagram A.
7. To remove the fluid manifold, Diagram A, unthread the transducer (#22) in Diagram C from the back of the pump housing (#9), Diagram A using a 3/4" open end wrench. Use a small pair of pliers to hold the transducer while loosening the nut to keep from damaging the transducer. Remove the two hex bolts, (#27), Diagram A, using a 5/8" socket wrench.
8. Remove the Front Cover (#13) in Diagram B.
9. Remove the motor cover (#4) in Diagram B by removing the three screws (#5) and pulling the motor cover straight back off the motor.
10. Spin the fan (#16) in Diagram B in either direction. The pump housing will lower down away from the crank housing (#9) in Diagram B. Once the pump housing has cleared the aligning pins on the bottom of the crank housing, slide the fluid manifold off the connecting rod (#15) in Diagram B.
11. Place the pump housing in a vise and use a 1-5/8" open end or adjustable wrench to remove the upper retainer (#6) in Diagram A.
12. Remove the piston rod (#16) in Diagram A by tapping the top of the piston rod with a rubber mallet.
13. Remove the upper packing (#8) and lower packing (#14) in Diagram A. Inspect both the upper and lower backings for wear. If you do not intend to replace the packings, do not remove them.
14. When replacing the packings, make sure to apply packing grease to the inside and outside of the packings prior to insertion. The grease is supplied with the packing kit 602-688.
15. Remove the black packing holder from the upper and lower packings, and apply the grease. The smaller upper packing (#8) in Diagram A is to be inserted into the top of the pump housing. The packing will only go in direction.
16. Insert the upper guide (#7) into the upper retainer (#6) in Diagram A and thread the upper retainer into the pump housing. Leave the upper retainer hand-tight until the piston is installed.
17. Insert the lower packing (#14) into the pump housing. It will only go in one direction.
18. Hold the piston rod (#15) upside down and insert the upper ball (#16). Replace the o-ring (#17) on the piston valve (#18) and thread the piston valve back into the piston rod. Slide the piston rod into the connecting rod (#14) in Diagram B to hold it steady while you tighten the piston valve firmly.
19. Replace o-rings (#21, 24, 25) in Diagram A. Insert the intake valve seat (#26) and the lower ball (#22) into the intake valve housing (# 20) all in Diagram A. Insert the piston guide into the intake valve housing pressing firmly until it snaps into place.
20. Place the piston rod into the intake valve assembly. Use the intake valve assembly to insert the piston rod through the lower packing. When you thread the intake valve assembly into the pump housing, it will seat the lower packing correctly and drive the piston through the upper packing. Use a number 12 adjustable wrench to tighten.

(T15) FLUID MANIFOLD SERVICE AND REPAIR

REPACKING FLUID MANIFOLD (CON'T)

21. Insert a pair of needle nose pliers into the slots on the top of the piston rod. Pry up on the Piston Rod and turn it to align the slots front to back.
22. Use a 1-5/8" open end or an adjustable wrench to tighten the upper retainer firmly. (#6) in Diagram A.
23. Slide the slots of the piston rod onto the connecting rod.
24. Gently turn the fan in either direction and it will draw the pump assembly up to the crank housing. Be careful to make sure the alignment pins line up while seating the pump housing.
25. Attached the transducer to the back of the pump housing. Make sure the o-ring (#21) in Diagram C, is in place before threading it in. Tighten it firmly with a 3/4" open end wrench, while holding the steel tubing with a pair of pliers.
26. Use a 5/16" Socket Wrench to insert the two hex bolts into the bottom of the pump housing and tighten firmly.
27. Replace the Front Cover (#13) in Diagram B, secure with six screws #1, Diagram B.
28. Replace the Motor Cover and tighten the three screws (#5) snug.
29. Re-attach the suction assembly. Make sure to apply some packing grease to the two o-rings (#4) in Diagram H before inserting the elbow into the intake valve assembly. Push the elbow straight in until it stops. Thread the nut (#1) in Diagram F back onto the intake valve assembly snugly, but hand-tight. If you have a Hi Cart, make sure the o-ring (#4) Diagram F is in place. Line up the suction tube (#5) Diagram F to the pump body (#9) Diagram A and thread the suction tube into the pump body hand-tight.

REPLACING THE PRIME / SPRAY VALVE

1. Using a 3/32" punch, knock out the pin (#31) from the black handle (#30) in Diagram A.
2. Remove the black handle and cam exposing the prime/spray valve (#32) in Diagram A.
3. Using a 3/4" open end or adjustable wrench, remove the prime/spray valve and inspect. Replace if worn or leaking.

REPLACING THE MANIFOLD FILTER

1. Remove the filter housing (#1) in Diagram A from the pump housing. New pumps from the factory will be tight and you will need to use an adjustable wrench to loosen.
2. Remove the filter (#3) and the filter core (#4) in Diagram A. Clean both components and if the filter is damaged or worn, replace.
3. When screwing the filter housing back in, make sure it is snug but only hand-tight.

(T15TX) FLUID MANIFOLD SERVICE AND REPAIR

REPACKING THE FLUID MANIFOLD

IMPORTANT! FOLLOW THE PRESSURE RELIEF PROCEDURE AS STATED ON PAGE 47.

IMPORTANT! UNPLUG THE UNIT.

1. Remove the suction set by unthreading the nut (#1) in Diagram H. Then pull the elbow straight down out of the inlet valve housing (#23) in Diagram A. If you have a Hi Cart, unthread the suction tube (#5) on Diagram F.
2. Remove the filter housing (#1), the Filter (#3) and the filter core (#4) in Diagram A.
3. Remove the intake valve housing (#23) in Diagram A.
4. Remove the piston guide (#20) in Diagram A, by inserting a flat head screw driver into the gap between the piston guide and the intake valve housing. Gently twist the screw driver until the piston guide pops up and is free from the intake valve housing.
5. Empty the contents of the intake valve housing (lower ball & intake valve seat). Carefully inspect the lower ball (#22) and the intake valve seat (#26) for any chips or cracks and replace if worn. The seat is two sided and can be flipped over if one side is damaged. If you are repacking the unit, you must always replace the lower ball (#22) and the gaskets (#25) and (#24) in diagram A.
6. Insert a 15/16" hex key into the piston valve (#18) in Diagram A, and turn counter clockwise to remove. When you remove the piston valve, there will be an upper ball (#16) and an o-ring (#17) that will come out with it. Carefully inspect the upper ball and the carbide seat in the top of the piston valve for any cracks or chips and replace if worn. If you are repacking the unit, always replace the upper ball (#16) and the o-ring (#17) in Diagram A.
7. To remove the fluid manifold, Diagram A, unthread the transducer (#22) in Diagram C from the back of the pump housing (#9), Diagram A, using a 3/4" open end wrench. Use a small pair of pliers to hold the transducer while loosening the nut to keep from damaging the transducer. Remove the two hex bolts (#27), Diagram A, using a 5/8" socket wrench.
8. Remove front cover (#13) in Diagram B.
9. Remove motor cover (#4) in Diagram B by removing the three screws (#5) and pulling the motor cover straight off the back of the motor.
10. Spin the fan (#16) in Diagram B in either direction. The pump housing will lower down away from the crank housing (#9) in Diagram B. Once the pump housing has cleared the aligning pins on the bottom of the crank housing, slide the fluid manifold off the connecting rod (#14) in Diagram B.
11. Place the pump housing in a vise and use a 1 5/8" open end or adjustable wrench to remove the upper retainer (#6) in Diagram A.
12. Remove the piston rod (#26) in Diagram A2 by tapping the tip of the piston rod with a rubber mallet.
13. Remove the upper packing (#8) and lower packing (#27) in Diagram A. Inspect both the upper and lower packings for wear. **If you do not intend to replace the packings, do not remove them.**
14. When replacing the packings, make sure to apply packing grease to the inside and outside of the packings prior to insertion. The grease is supplied with the packing kit 602-688.
15. Remove the black packing holder from the upper and lower packings and apply the grease. The smaller upper packing (#8) in Diagram A is to be inserted into the top of the pump housing. The packing will only go in one direction.
16. Insert the upper guide (#7) into the upper retainer (#6) in Diagram A and thread the upper retainer into the pump housing. Leave the upper retainer hand-tight until the piston is installed.
17. Insert the lower packing (#27) into the pump housing. It will only go in one direction.
18. Hold the piston rod (#26) in Diagram A2 upside down and insert the upper ball (#24) in Diagram A2. Replace the o-ring (#25) in Diagram A2 on the piston valve (#27) in Diagram A2 and thread the piston valve back into the piston rod. Slide the piston rod onto the connecting rod (#14) in Diagram B to hold it steady while you tighten the piston valve firmly.
19. Replace the o-rings (#19, #20, #16) in Diagram A2. Insert the intake valve seat (#18) and the lower ball (#17) into the intake valve housing (#21) in Diagram A2. Insert the piston guide (#15) in Diagram A2 into the intake valve housing pressing firmly until it snaps into place.
20. Place the piston rod into the intake valve assembly. Use the intake valve assembly to insert the piston rod through the lower packing. When you thread the intake valve assembly into the pump housing, it will seat the lower pack correctly and drive the piston through the upper packing. Use a number 12 adjustable wrench to tighten.

(T15TX) FLUID MANIFOLD SERVICE AND REPAIR

REPACKING FLUID MANIFOLD (CON'T)

21. Insert a pair of needle nose pliers into the slots on the top of the piston rod. Pry up on the piston rod and turn it to align the slots front to back.
22. Use a 1 $\frac{5}{8}$ " open end wrench or an adjustable wrench to tighten the upper retainer (#6) firmly in Diagram A2.
23. Slide the slots of the piston onto the connecting rod (#14) Diagram B.
24. Gently turn the fan in either direction and it will draw the pump assembly up to the crank housing. Be careful to make sure the alignment pins line up while seating the pump housing.
25. Attach the transducer to the back of the pump housing. Make sure the o-ring (#21) in Diagram C2 is in place before threading it into the pump housing. Tighten it firmly with a $\frac{3}{4}$ " open end wrench while holding the transducer tube with a pair of pliers.
26. Use a $\frac{5}{16}$ " socket wrench to insert the two hex bolts into the bottom of the pump housing and tighten firmly.
27. Replace the front cover (#13) in Diagram B. Secure it with six screws (#1) in Diagram B.
28. Replace the motor cover and tighten the three screws (#5) in Diagram B.
29. Re-attach the suction assembly. Make sure to apply some packing grease to the to the two o-rings (#4) Diagram H before inserting the elbow into the intake valve assembly. Push the elbow straight in until it stops. Thread the nut (#1) Diagram H back onto the intake valve assembly snugly by hand. If you have a Hi Cart, make sure to apply some packing grease to the o-ring (#4) Diagram F. Thread the suction tube (#4) back onto the inlet threads snugly by hand.

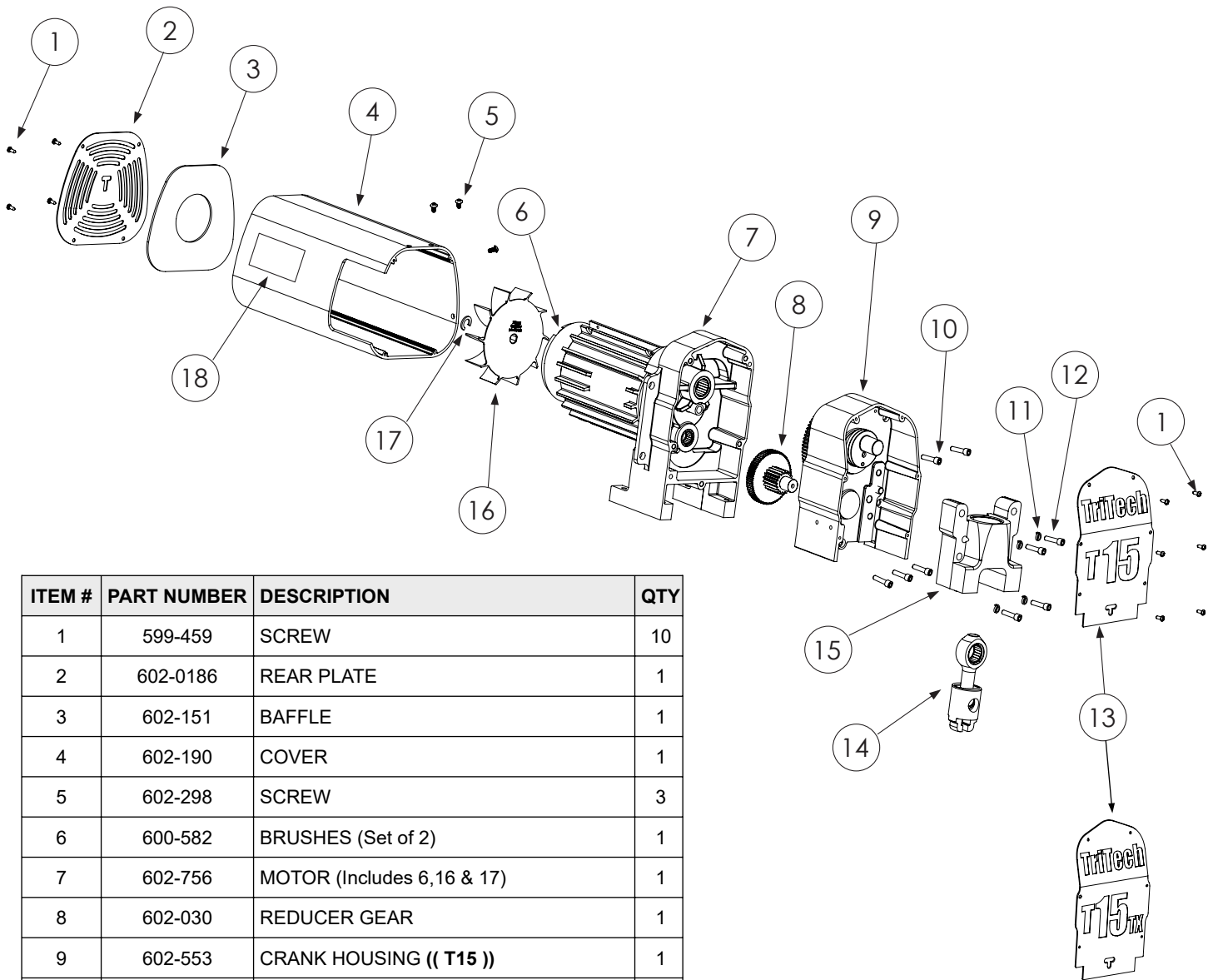
REPLACING THE PRIME / SPRAY VALVE

1. Using a $\frac{3}{32}$ " punch, knock out the pin (#33) from the black handle (#32) in Diagram A2.
2. Remove the black handle and cam from the prime/spray valve (#34) in Diagram A2.
3. Using a $\frac{3}{4}$ " open end adjustable wrench, remove the prime/spray valve and inspect. Replace if worn or leaking.

REPLACING THE MANIFOLD FILTER

1. Remove the filter housing (#1) in Diagram A2 from the pump housing. New pumps from the factory will be tight and you will need to use an adjustable wrench to loosen.
2. Remove the filter (#3) and the filter core (#4) in Diagram A2. Clean both components and if the filter is damaged or worn, replace.
3. When screwing the filter housing back in, make sure it is snug but only hand-tight.

DIAGRAM B MOTOR & GEARBOX T15 / T15TX



ITEM #	PART NUMBER	DESCRIPTION	QTY
1	599-459	SCREW	10
2	602-0186	REAR PLATE	1
3	602-151	BAFFLE	1
4	602-190	COVER	1
5	602-298	SCREW	3
6	600-582	BRUSHES (Set of 2)	1
7	602-756	MOTOR (Includes 6,16 & 17)	1
8	602-030	REDUCER GEAR	1
9	602-553	CRANK HOUSING ((T15))	1
9	602-555	CRANK HOUSING ((T15TX))	1
10	600-316	SCREW	5
11	602-124	LOCK WASHER	4
12	602-123	SCREW	4
13	602-565	FRONT COVER ((T15))	1
13	602-564	FRONT COVER ((T15TX))	1
14	602-493	CONNECTING ROD	1
15	602-585	SLIDER HOUSING	1
16	602-356	FAN	1
17	600-494	SNAP RING	1
18	302-059	LABEL, FIRE / EXPLOSION	1

REPLACING CONNECTING ROD

Always Follow the pressure relief procedures before attempting to service an airless pump. See Page 47.

If the troubleshooting guide suggests replacing the gears or the connecting rod, follow the instructions below.

1. Remove six screws (#1) Diagram B, and remove the front cover (#13) Diagram B.
2. While using a pair of needle-nosed pliers to hold the transducer body from turning, loosen the transducer nut (#22) Diagram C from pump complete (#34) Diagram A, with a $\frac{3}{4}$ " open end wrench. Slide the transducer out of the back of the pump housing.
3. Remove the four screws (#1) Diagram B and remove the rear plate (#2) Diagram B.
4. Remove two hex bolts (#27) Diagram A or (#28) Diagram A2, from the crank housing (#9) Diagram B.
5. Turn the fan (#16) Diagram B, in either direction to lower the pump housing until you clear the two alignment pins.
6. Slide the pump housing forward off the connecting rod (#14) Diagram B, and set aside.
7. Remove four screws (#12) Diagram B, and remove the slider housing (#8) Diagram B from the motor/gearbox (#9) Diagram B.
8. Remove the connecting rod from the slider housing.
9. Inspect the connecting rod slide bearing in the slider housing. If damaged, replace the slider housing.
10. Install the connecting rod into the slide bearing in the slider housing.
11. Align the connecting rod with the crank shaft. Slide the connecting rod onto the crankshaft. As the slider housing nears the crank housing, align the slider housing to the crank housing alignment pins. Press the slider housing to the crank housing.
12. Install four screws (#12) Diagram B, through the slider housing into the crank housing and alternately tighten the screws.
13. Position the pump housing so the piston slot aligns with the connecting rod receiver slot. Turn the fan to draw the pump housing up to and over the alignment pins on the bottom of the slider housing.
14. Install two hex bolts through the pump housing into the slider housing. Tighten the hex bolts with a $\frac{3}{4}$ " open end wrench.
15. Install front cover onto the front of the crank housing with six screws (#1) Diagram B.
16. Install rear plate onto the motor cover with four screws (#1) Diagram B.

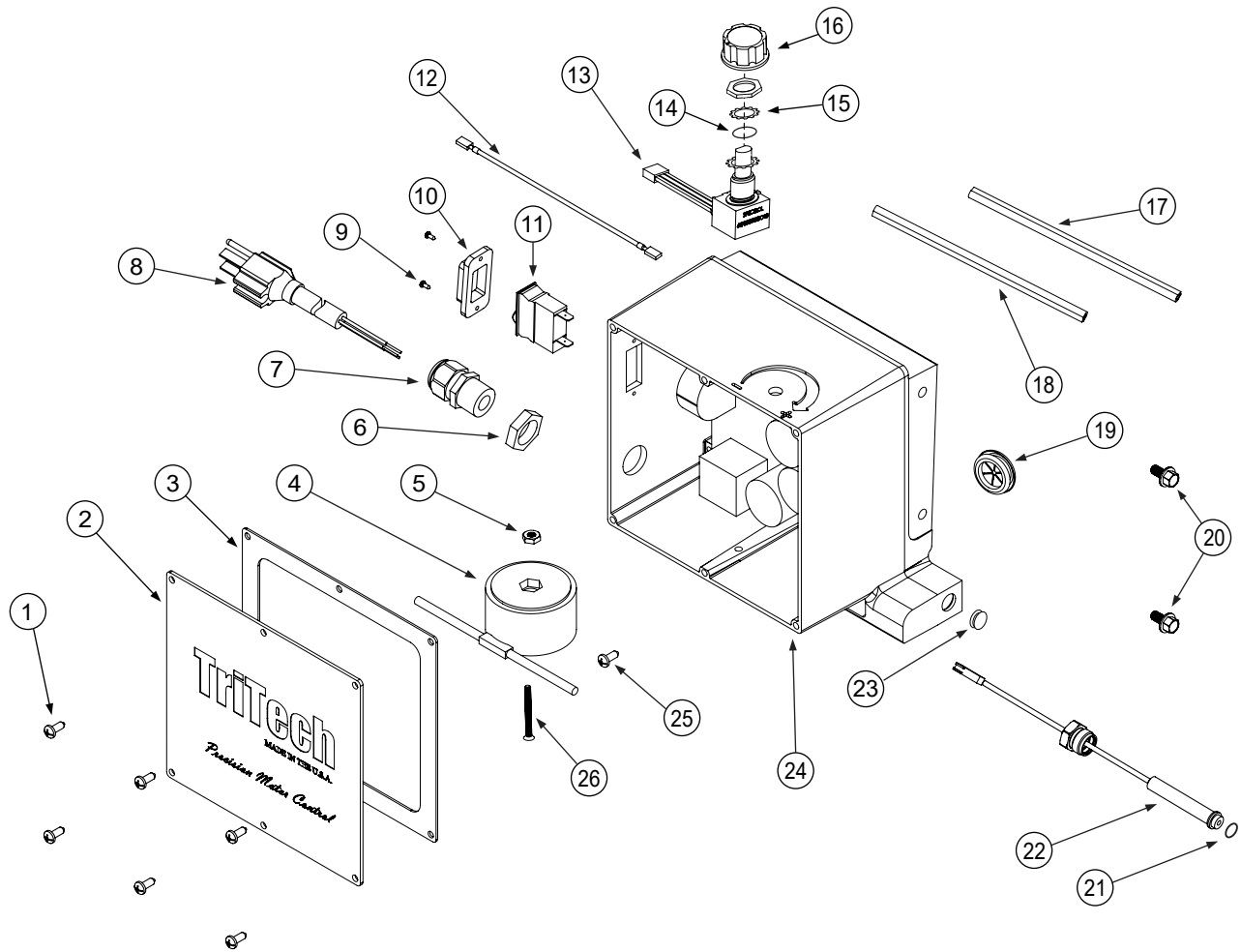
REPLACING REDUCER GEAR / CRANK HOUSING

Always Follow the pressure relief procedures before attempting to service an airless pump. See Page 47.

If the troubleshooting guide suggests replacing the gears or the connecting rod, follow the instructions below.

1. Remove six screws (#1) Diagram B, and remove the front cover (#13) Diagram B.
2. While using a pair of needle-nosed pliers to hold the transducer body from turning, loosen the transducer nut (#22) Diagram C from pump complete (#34) Diagram A or pump complete (#37) Diagram A2, with a $\frac{3}{4}$ " open end wrench. Slide the transducer out of the back of the pump housing.
3. Remove the four screws (#1) Diagram B and remove the rear plate (#2) Diagram B.
4. Remove two hex bolts (#27) Diagram A, from the crank housing (#9) Diagram B.
5. Turn the fan (#16) Diagram B, in either direction to lower the pump housing until you clear the two alignment pins.
6. Slide the pump housing forward off the connecting rod (#14) Diagram B, and set aside.
7. Remove 5 screws (#10) Diagram B. Slide crank housing away from the motor (#7) Diagram B.
8. Remove the reducer gear (#8) Diagram B, and inspect for damage. Replace this gear if worn or if teeth are fractured. Inspect the crank housing gear for damage. If damage is found, replace the crank housing (#9) Diagram B.
9. Reassemble by inserting the reducer gear into the motor housing. Slide the crank housing towards the motor housing until the alignment pins mate with the motor housing. Turn the fan if necessary to align the gear teeth and press the crank housing until it banks against the motor housing.
10. Install five screws (#10) Diagram B, and alternately tighten the screws.
11. Align the connecting rod with crankshaft. Slide the connecting rod onto the crankshaft. As slider housing nears the crank housing, align the slider housing to the crank housing alignment pins. Press the slider housing to the crank housing.
12. Install four screws (#12) Diagram B, through the slider housing into the crank housing and alternately tighten the screws.
13. Position the pump complete so the piston slots aligns with the connecting rod receiver slot. Turn the fan in either direction to draw the pump complete up to and over the alignment pins on the bottom of the slider housing.
14. Install two hex bolts through the pump housing into the slider housing. Tighten the hex bolts with a $\frac{3}{4}$ " open end wrench.
15. Install front cover onto the front of the crank housing with six screws (#1) Diagram B.
16. Install rear plate onto the motor cover with four screws (#1) Diagram B.

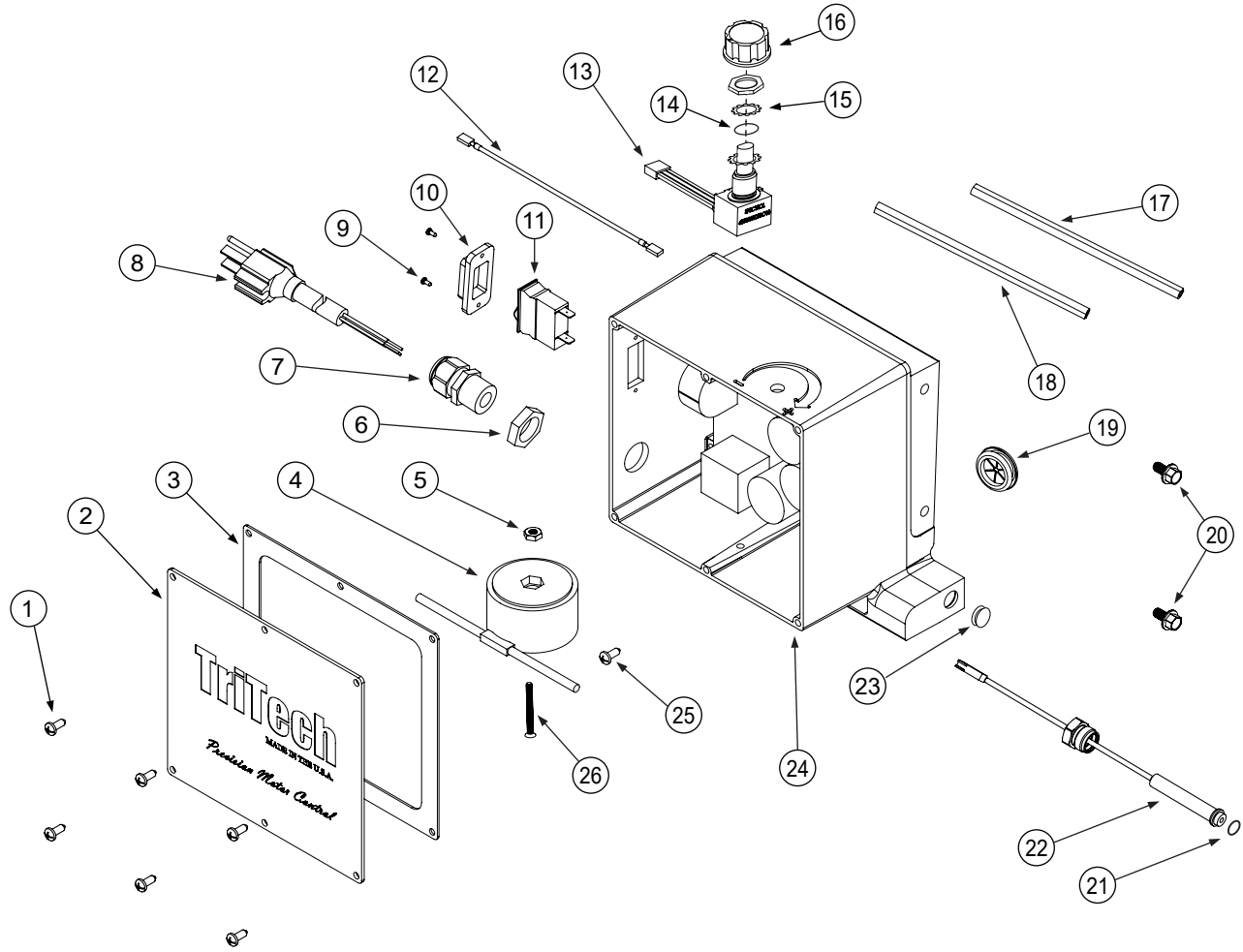
DIAGRAM C CONTROL BOX <<< T15 >>>



ITEM #	PART #	DESCRIPTION	QTY
1	599-459	SCREW	6
2	602-319	COVER PLATE	1
3	602-417	GASKET	1
4	602-459	INDUCTOR FILTER (110V Only)	1
5	602-446	NUT (110V Only)	1
6	600-129	STRAIN RELIEF LOCK NUT	1
7	600-128	STRAIN RELIEF CORD GRIP	1
8	602-464	POWER CORD 110V	1
8	602-505	POWER CORD 110V UK	1
8	602-491	POWER CORD 110V CANADA	1
8	600-151	POWER CORD 220V	1
8	600-148	POWER CORD 220V AUSTRALIA	1
8	600-645	POWER CORD 220V UK	1
9	600-411	SCREW	2
10	600-122	SWITCH COVER 110V	1
10	600-124	SWITCH COVER 220V	1
11	602-465	SWITCH 110V	1
11	600-126	SWITCH 220V	1
12	600-366	SWITCH TO BOARD WIRE (220V Only)	1
13	602-407	POTENTIOMETER	1

ITEM #	PART #	DESCRIPTION	QTY
14	600-419	O-RING	1
15	600-592	LOCK WASHER	1
16	600-123	KNOB	1
17	600-264-1	EDGE LINER TOP (7.125" Long)	1
18	600-264-2	EDGE LINER BOTTOM (6.125" Long)	1
19	602-472	GROMMET	1
20	602-233	SCREW	2
21	600-418	O-RING	1
22	600-036	TRANSDUCER	1
23	602-605	PLUG	1
24	602-634	CONTROL BOARD & BOX 110V	1
24	602-635	CONTROL BOARD & BOX 220V	1
25	600-519	SCREW	1
26	602-447	SCREW (110V Only)	1
	602-636	CONTROL BOX COMPLETE 110V	1
	602-637	CONTROL BOX COMPLETE 110V UK	1
	602-638	CONTROL BOX COMPLETE 110V CANADA	1
	602-639	CONTROL BOX COMPLETE 220V	1
	602-640	CONTROL BOX COMPLETE 220V UK	1
	602-642	CONTROL BOX COMPLETE 220V AUSTRALIA	1

DIAGRAM C2 CONTROL BOX <<< T15TX >>>



ITEM #	PART #	DESCRIPTION	QTY
1	599-459	SCREW	6
2	602-319	COVER PLATE	1
3	602-417	GASKET	1
4	602-459	INDUCTOR FILTER (110V Only)	1
5	602-446	NUT (110V Only)	1
6	600-129	STRAIN RELIEF LOCK NUT	1
7	600-128	STRAIN RELIEF CORD GRIP	1
8	602-464	POWER CORD 110V	1
8	602-505	POWER CORD 110V UK	1
8	602-491	POWER CORD 110V CANADA	1
8	600-151	POWER CORD 220V	1
8	600-148	POWER CORD 220V AUSTRALIA	1
8	600-645	POWER CORD 220V UK	1
9	600-411	SCREW	2
10	600-122	SWITCH COVER 110V	1
10	600-124	SWITCH COVER 220V	1
11	602-465	SWITCH 110V	1
11	600-126	SWITCH 220V	1
12	600-366	SWITCH TO BOARD WIRE (220V Only)	1
13	602-407	POTENTIOMETER	1

ITEM #	PART #	DESCRIPTION	QTY
14	600-419	O-RING	1
15	600-592	LOCK WASHER	1
16	600-123	KNOB	1
17	600-264-1	EDGE LINER TOP (7.125" Long)	1
18	600-264-2	EDGE LINER BOTTOM (6.125" Long)	1
19	602-472	GROMMET	1
20	602-233	SCREW	2
21	600-418	O-RING	1
22	600-036	TRANSDUCER	1
23	602-605	PLUG	1
24	602-655	CONTROL BOARD & BOX 110V	1
24	602-656	CONTROL BOARD & BOX 220V	1
25	600-519	SCREW	1
26	602-447	SCREW (110V Only)	1
	602-657	CONTROL BOX COMPLETE 110V	1
	602-658	CONTROL BOX COMPLETE 110V UK	1
	602-659	CONTROL BOX COMPLETE 110V CANADA	1
	602-660	CONTROL BOX COMPLETE 220V	1
	602-661	CONTROL BOX COMPLETE 220V UK	1
	602-662	CONTROL BOX COMPLETE 220V AUSTRALIA	1

REPLACE THE CONTROL ASSEMBLY

Follow pressure relief procedure before attempting to service or repair the unit. See Page 47.

If the trouble shooting guide suggest replacing the control assembly, follow the directions below.

1. Remove 6 screws (#1) and the control box cover (#2) in Diagram C/C2.
2. Disconnect the transducer wire from the circuit board in Diagram D/E. (Gray wire)
3. Unthread the transducer (#22) Diagram C/C2 from the back of the pump housing (#9) Diagram A using a $\frac{3}{4}$ " open-end wrench.
4. Disconnect the following wires: The top **BLACK** wire from the on/off switch, the **BLACK** wire from the thermal protection pad, the **RED & BLACK** motor leads, the **YELLOW** thermistor wire all on Diagram D/E.
5. Remove the filter housing (#1) Diagram A/A2 for easier access to the three control box mounting bolts.
6. Remove the two screws (#20) Diagram C/C2 using a $\frac{1}{2}$ " socket wrench.
7. Carefully remove the control box while feeding all of the disconnected wires through the opening in the back of the box.
8. To install the new control box, follow these steps in reverse order.

NOTE: If the potentiometer, transducer & on/off switch are all good, they will have to be removed from the old box and re-installed into the new box (#24) Diagram C/C2.

REPLACE POTENTIOMETER

Follow pressure relief procedure before attempting to service or repair unit. See Page 47.

If trouble shooting guide suggests replacing the potentiometer, follow the directions below.

1. Remove 6 screws (#1) and the control box cover (#2) both in Diagram C/C2.
2. Disconnect the potentiometer leads from the circuit board. (**Red, Black & Yellow** twisted wire) shown in Diagram D/E.
3. Remove the knob (#16) in Diagram D/E and remove the potentiometer mounting nut. Make sure that all pieces are retained and replace back in the same order prior to removing the potentiometer assembly.
4. To reinstall, follow these instructions in reverse order.

REPLACE TRANSDUCER

Follow pressure relief procedure before attempting to service or repair unit. See Page 47.

If trouble shooting guide suggests replacing the transducer, follow the directions below.

1. Remove 6 screws (#1) and the control box cover (#2) both in Diagram C/C2.
2. Unplug the transducer wire from the circuit board. (Gray wire)
3. While using a pair of needle-nosed pliers to hold the transducer body from turning, loosen the transducer nut (#22) Diagram C/C2 from pump housing (#9) Diagram A/A2 with a $\frac{3}{4}$ " open end wrench. Slide the transducer out of the back of the pump housing.
4. Disconnect the **RED** and **BLACK** motor leads and the top **BLACK** wire from the on/off switch, the **BLACK** thermal protection wire and the **YELLOW** thermistor wire Diagram D/E.
5. Remove 2 screws (#20) Diagram C/C2 and carefully remove the control box.
6. Remove the transducer by guiding the wire through the circuit board and out through the grommet on the back of the control box Diagram C/C2.
7. Install the new transducer by following steps 4 - 6 in reverse order.
8. Thread the transducer into the back of the pump housing making sure the o-ring (#21) is in place. Thread the transducer nut into the pump housing and tighten with a $\frac{3}{4}$ " open end wrench while holding the transducer with a pair of needle nose pliers to keep it from twisting.
9. Reattached the the control box cover plate and gasket with six screws (#6) Diagram C/C2)

REPLACE / REMOVE MOTOR

Follow pressure relief procedure before attempting to service or repair unit. See Page 47.

If trouble shooting guide suggests replacing the motor, follow the directions below.

1. Remove 3 screws (#5) Diagram B and remove the motor cover (#4) Diagram B.
2. Remove 6 screws (#1) Diagram C/C2 and remove the control box cover plate (#2) and gasket (#3) Diagram C/C2.
3. Disconnect the **BLACK** & **RED** motor leads from the circuit board Diagram D/E.
4. Remove 6 screws (#1) Diagram B and remove the front cover (#13) Diagram B.
5. While using a pair of needle-nosed pliers to hold the transducer body from turning, loosen the transducer nut (#22) Diagram C/C2 from pump housing (#9) Diagram A/A2 with a $\frac{3}{4}$ " open end wrench. Slide the transducer out of the back of the pump housing.
6. Remove 5 screws (#10) in Diagram B and remove the crank housing (#9) Diagram B and the pump complete (#34) Diagram A or (#37) Diagram A2) together.
7. Remove the reducer gear (#8) Diagram B.
8. Remove 2 screws (#20) Diagram C/C2 and remove the control box from the motor.
9. Remove 4 bolts (#17) Diagram I from underneath the motor assembly to separate the motor and gearbox from the frame assembly.

INSTALL MOTOR

1. Install reducer gear (#8) Diagram B into the gearbox and rotate the fan to ensure the armature shaft is engaging.
2. Fill the gear box (#7) Diagram B with Phillips 66 Multi-Plex 200 #2 or Lucas Red & Tacky.
3. Insert 4 bolts (#17) Diagram I from underneath to connect the motor and gearbox to the frame assembly.
4. Insert 2 screws (#20) Diagram C/C2 and reattach the control box to the motor.
5. Insert 5 screws (#10) Diagram B and reattach the crank housing (#9) Diagram B.
6. Thread transducer (#22) Diagram C/C2 into the back of the pump housing (#9), Diagram A/A2 and make sure the o-ring (#21) Diagram C/C2 is in place. Tighten using a $\frac{3}{4}$ " open end wrench.
7. Reattach the transducer wire to the circuit board Diagram D/E.
8. Reattach the **BLACK** and **RED** motor leads to the circuit board Diagram D/E.
9. Reattach the motor thermistor wire to the circuit board Diagram D/E.
10. Insert 6 screws (#1) to reattach the control box cover plate (#2) and gasket (#3) Diagram C/C2.
11. Slide the motor cover (#4) Diagram B back onto the motor and insert 3 screws (#5) Diagram B to attach.

REPLACE MOTOR BRUSHES

Follow pressure relief procedure before attempting to service or repair unit. See Page 47.

If trouble shooting guide suggests replacing the motor brushes, follow the directions below.

1. Remove 3 screws (#5) Diagram B from motor cover and slide the motor cover back off the motor.
2. Use a straight blade screwdriver to remove the brush retaining cap to expose the motor brushes.
3. Remove the motor brushes (#6) Diagram B one at a time and inspect. Replace if worn or damaged.
4. Reassemble in reverse order. When reinstalling the motor brushes, make sure to have the red and black wire leads to the back of the housing.

REPLACE ON / OFF SWITCH

Follow pressure relief procedure before attempting to service or repair unit.

If trouble shooting guide suggests replacing the on / off switch, follow the directions below.

1. Remove 6 screws (#1) Diagram C/C2 and remove the control box cover plate (#2) and gasket (#3) Diagram C/C2.
2. Disconnect the leads from the on / off switch Diagram D/E.
3. Remove the mounting screws (#9) Diagram C/C2.
4. Remove switch cover (#10) Diagram B and remove on / off switch (#11) Diagram B.
5. Replace in reverse order.

DIAGRAM D T15/T15TX 110V WIRING DIAGRAM

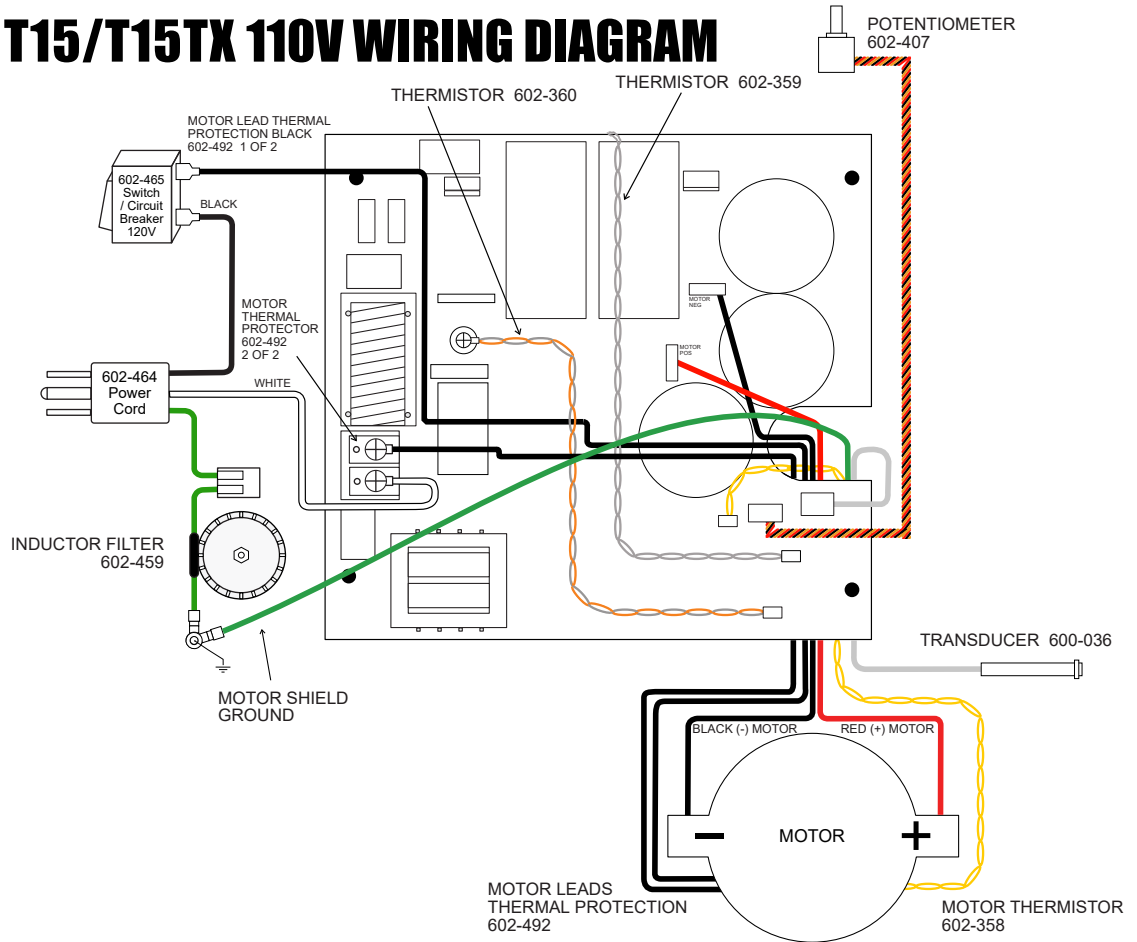


DIAGRAM E T15/T15TX 220V WIRING DIAGRAM

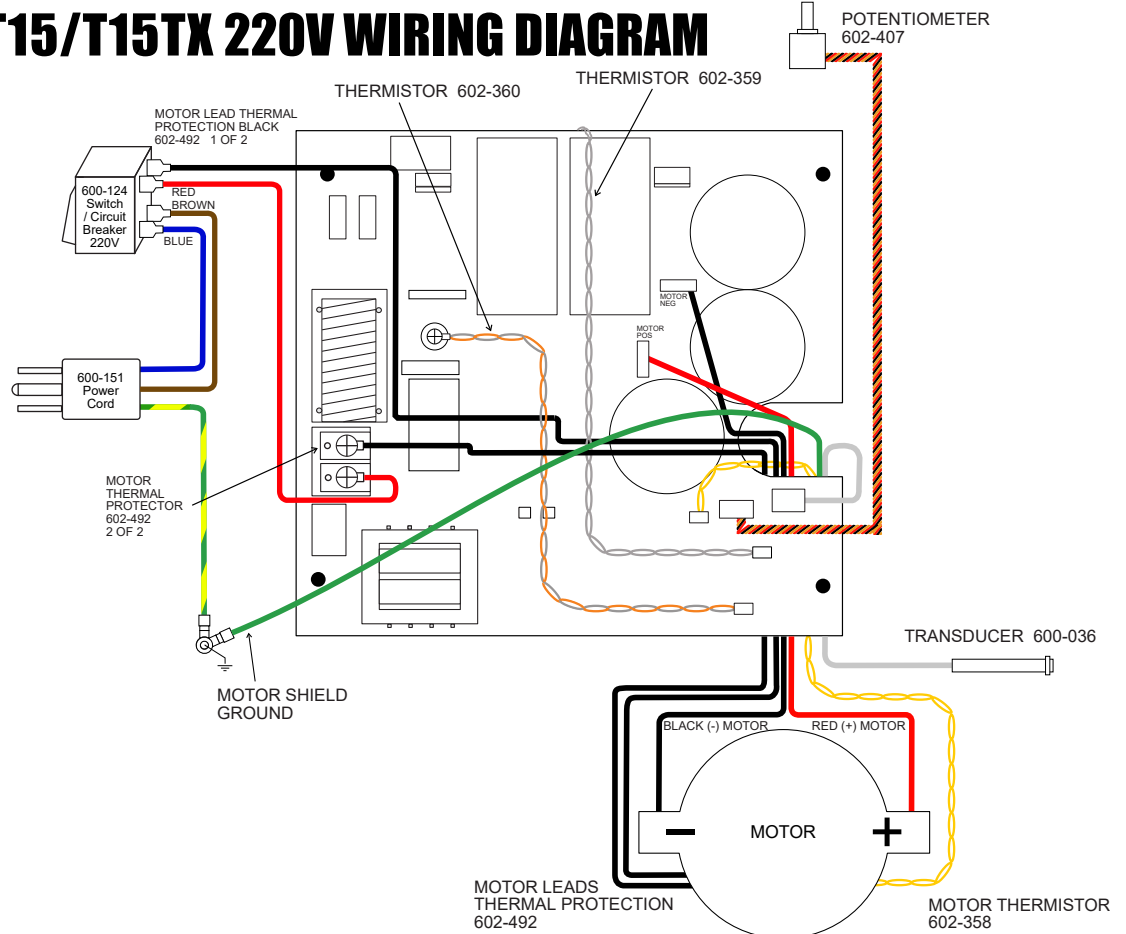
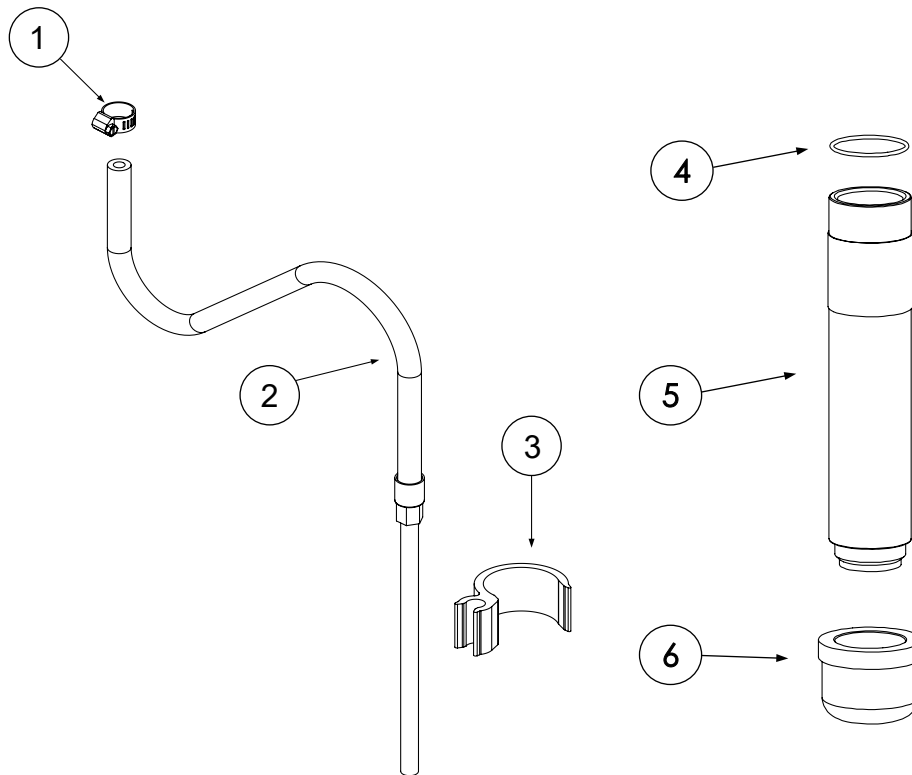


DIAGRAM F SUCTION ASSEMBLY T15



ITEM #	PART #	DESCRIPTION	QTY
1	600-542	HOSE CLAMP (T15 & T15TX)	1
2	602-239	PRIME HOSE (T15 & T15TX)	1
3	600-442	HOSE CLIP (T15 ONLY) (T15TX SEE PAGE 50 & 51)	1
4	600-406	O-RING	1
5	602-533	SUCTION TUBE	1
6	600-085-10	SUCTION FILTER, 10 MESH	1

OPTIONAL SUCTION FILTERS	
PART #	DESCRIPTION
600-085-15	SUCTION FILTER 15 MESH
600-085-30	SUCTION FILTER 30 MESH

DIAGRAM H 55 GALLON SUCTION SET T15

ITEM #	PART #	DESCRIPTION	QTY
1	600-233	NUT	1
2	600-168	WASHER	1
3	600-236	SNAP RING	1
4	600-164	O-RING	2
5	600-234	GASKET	1
6	602-156	SUCTION HOSE	1
7	602-544	HOSE CLAMP	2
8	602-157	SUCTION TUBE	1
9	600-471	HOSE CLIP	1
10	600-087-10	SUCTION FILTER, 10 MESH	1
11	602-153	PRIME HOSE	1
12	602-158	SUCTION SET COMPLETE	1

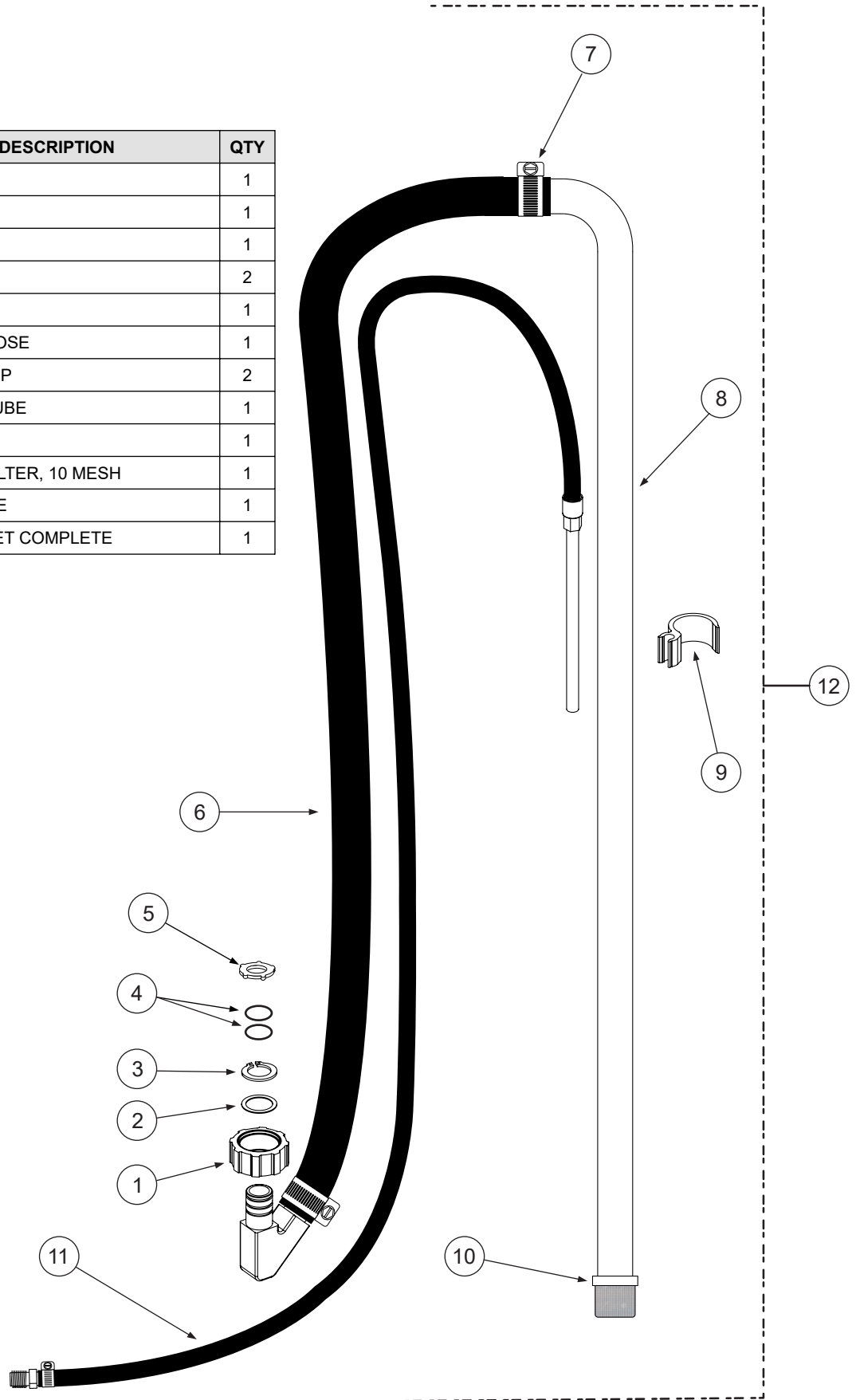
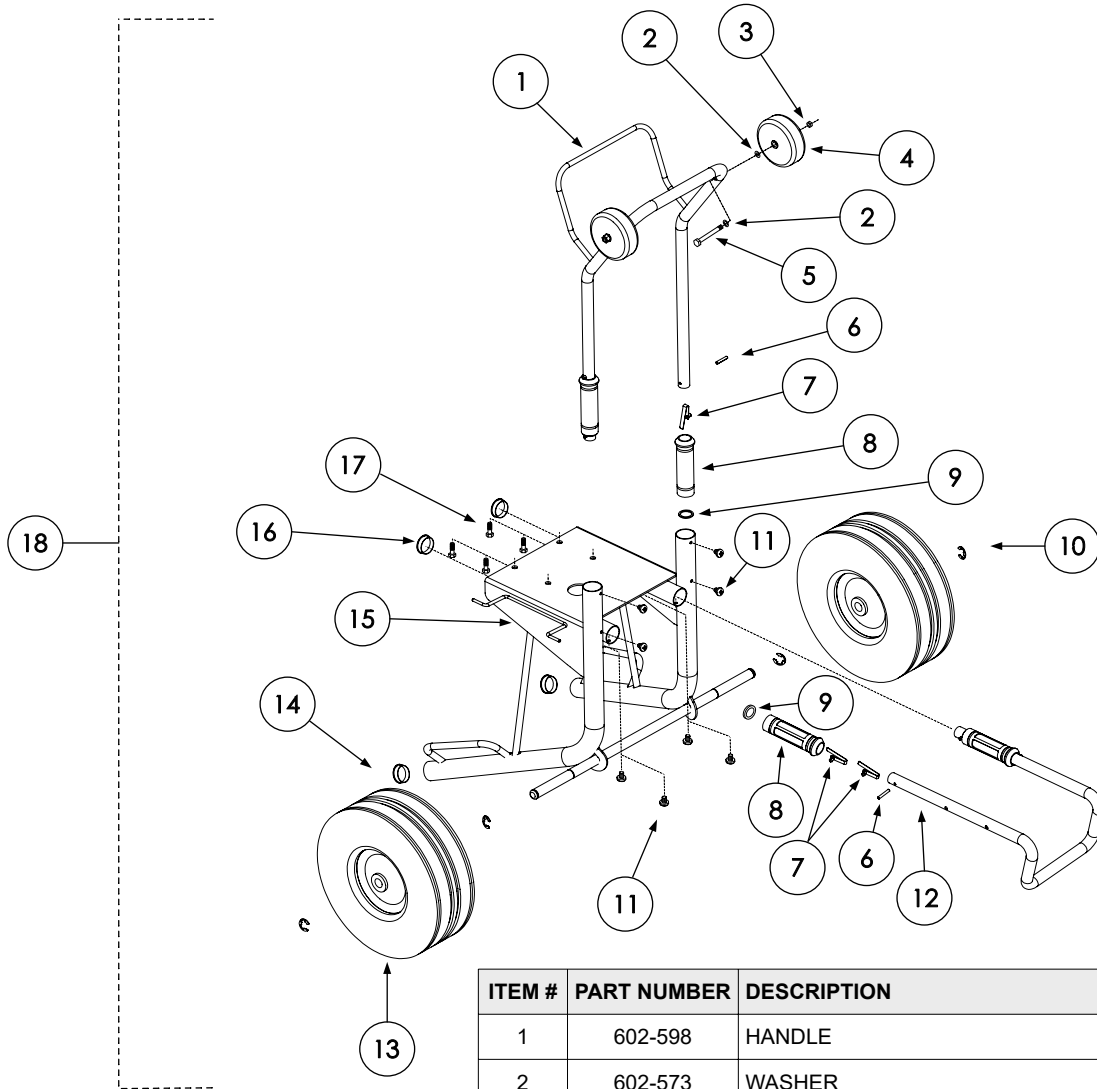


DIAGRAM I FRAME ASSEMBLY T15 / T15TX



ITEM #	PART NUMBER	DESCRIPTION	QTY
1	602-598	HANDLE	1
2	602-573	WASHER	2
3	602-524	NUT	2
4	602-513	WHEEL	2
5	602-523	SCREW	4
6	600-381	PIN	2
7	600-391	BUTTON SNAP	5
8	600-378	GUIDE	4
9	600-379	WASHER	4
10	602-399	SNAP RING	4
11	600-382	SCREW	8
12	602-562	KICK STAND HANDLE	1
13	602-373	WHEEL	2
14	602-397	FRAME CAP	2
15	602-596	CART FRAME	1
16	602-397	PLUG	2
17	602-264	BOLT	4
18	602-595	FRAME ASSEMBLY COMPLETE	1

NOTES

NOTES

WARRANTY

TriTech Industries Inc., warrants all equipment referenced in this manual which is manufactured by TriTech to be free from defects in material and workmanship on the date of sale to the original purchaser for use. With the exception of any special, extended, or limited warranty published by TriTech, TriTech will for a period of twenty four months from the date of sale, repair or replace any part of the equipment determined by TriTech to be defective. This warranty applies only when the equipment is installed, operated and maintained in accordance with TriTech's written recommendations.

This warranty does not cover, and TriTech shall not be liable for general wear and tear, or any malfunction, damage or wear caused by faulty installation, misapplication, abrasion, corrosion, inadequate or improper maintenance, negligence, accident, tampering or substitution of non-TriTech component parts. Nor shall TriTech be liable for malfunction, damage or wear caused by the incompatibility of TriTech equipment with structures, accessories, equipment or materials not supplied by TriTech, or the improper design, manufacture, installation, operation or maintenance of structures, accessories, equipment or material not supplied by TriTech.

This warranty is conditioned upon the prepaid return of the of the equipment claimed to be defective to TriTech or an authorized TriTech distributor/service center for verification of the claimed defect. If the claimed defect is verified, TriTech will repair or replace free of charge any defective parts. If inspection of the equipment does not disclose any defect in material or workmanship, repairs will be made at a reasonable charge, which charges may include the cost of parts, labor, and transportation.

THIS WARRANTY IS EXCLUSIVE, AND IS IN LIEU OF ANY OTHER WARRANTIES, EXPRESS OR IMPLIED, INCLUDING BUT NOT LIMITED TO WARRANTY OF MERCHANT-ABILITY OR WARRANTY OF FITNESS OR A PARTICULAR PURPOSE.

TriTech's sole obligation and buyer's sole remedy for any breach of warranty shall be as set forth above. The buyer agrees that no other remedy (including, but not limited to, incidental or consequential damages for lost profits, lost sales, injury to person or property, or an other incidental or consequential loss) shall be available. Any action for breach of warranty must be brought within two (2) year of the date of sale.

TriTech MAKES NO WARRANTY, AND DISCLAIMS ALL IMPLIED WARRANTIES OF MERCHANT-ABILITY AND FITNESS FOR A PARTICULAR PURPOSE, IN CONNECTION WITH ACCESSORIES, EQUIPMENT, MATERIALS OR COMPONENTS SOLD BUT NOT MANUFACTURED BY TriTech. Those items sold, but not manufactured by TriTech (such as electric motors, switches, hose, etc.), are subject to the warranty, if any, of their manufacturer. TriTech will provide purchaser with reasonable assistance in making any claim for breach of these warranties.

In no event will TriTech be liable for indirect, incidental, special or consequential damages resulting from TriTech supplying equipment here-under, or the furnishing, performance, or use of any products or other goods sold hereto, whether due to a breach of contract, breach of warranty, the negligence of TriTech, or otherwise.

ADDITIONAL WARRANTY COVERAGE

TriTech may provide extended warranty and wear warranty for products described in the "TriTech Extended Warranty Program".